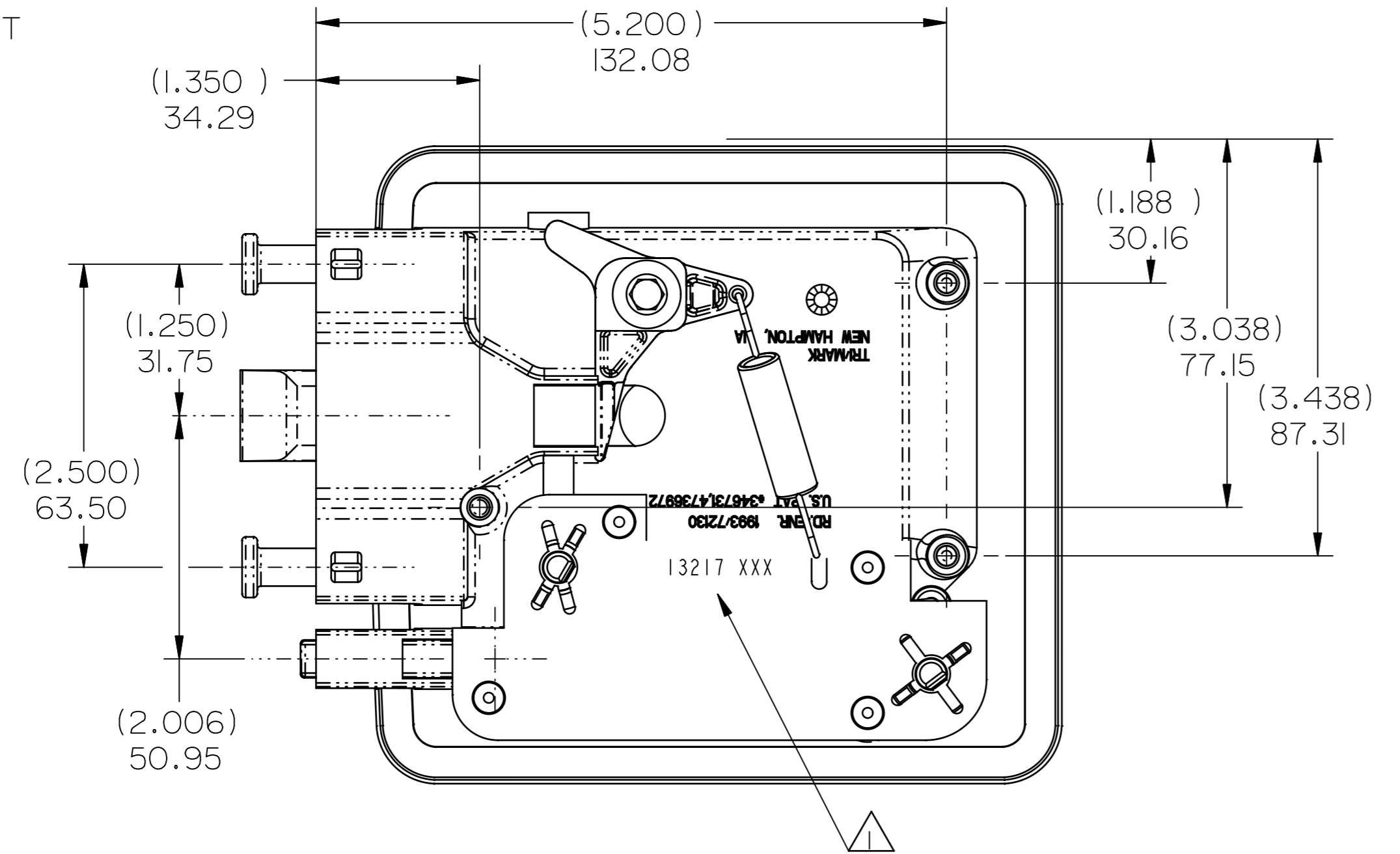
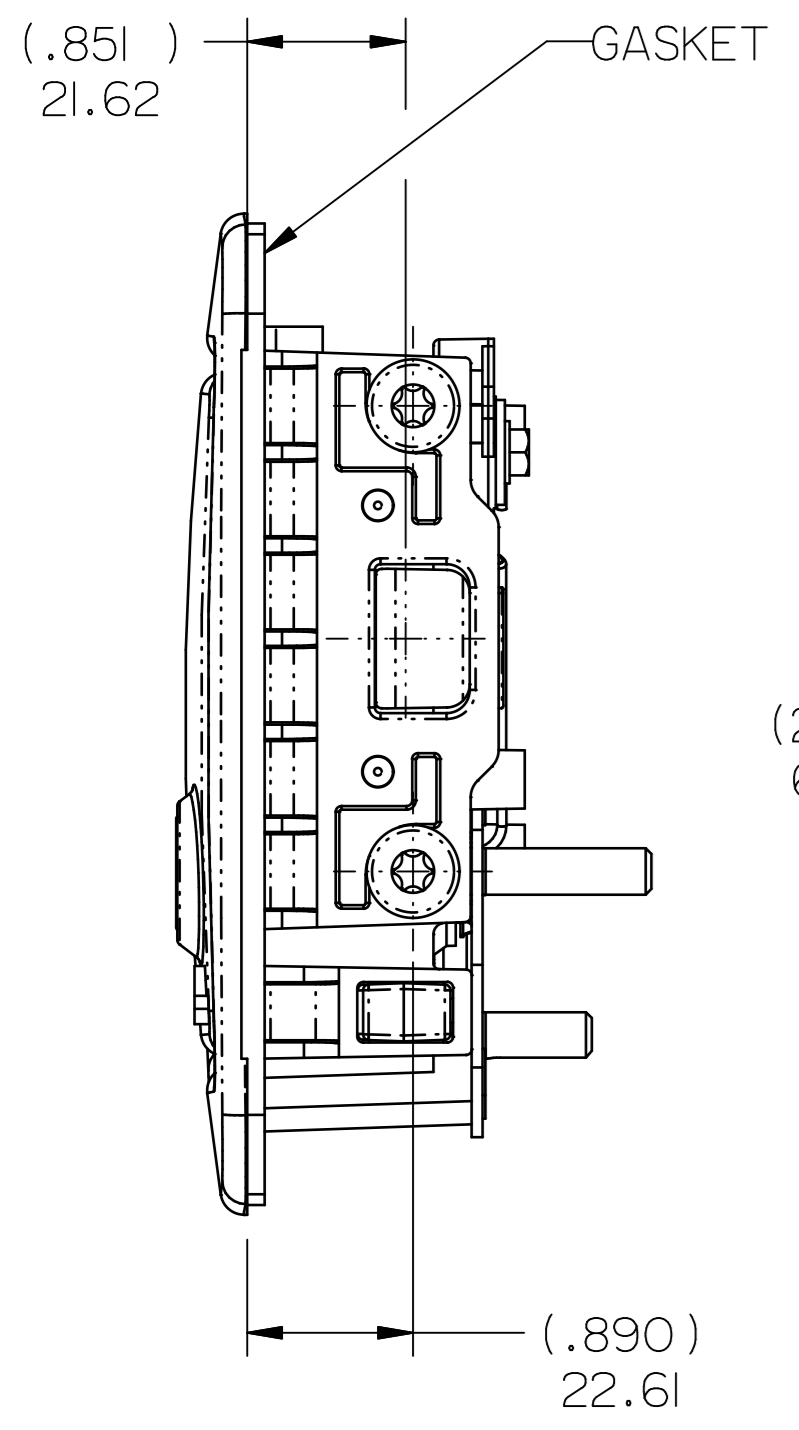
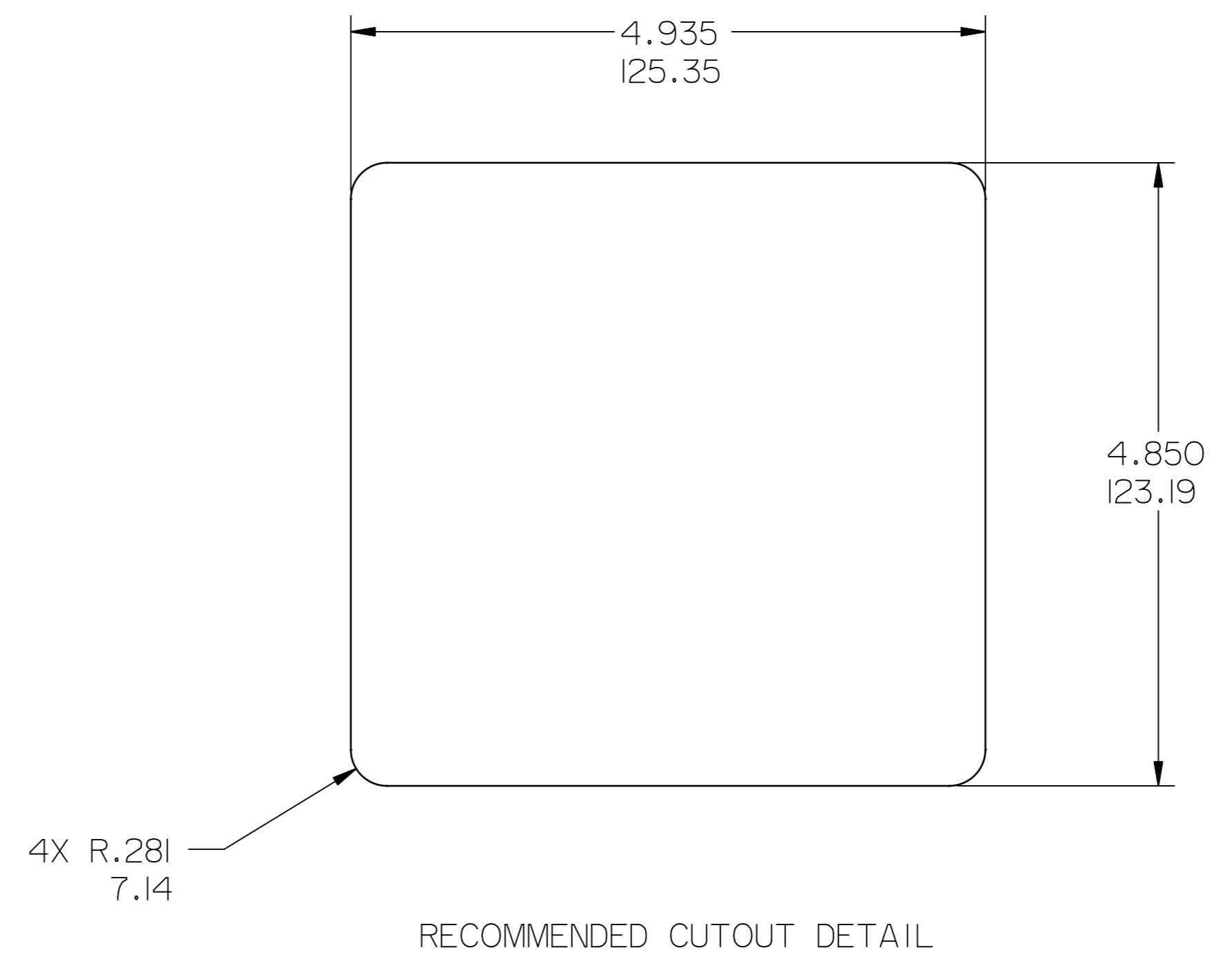
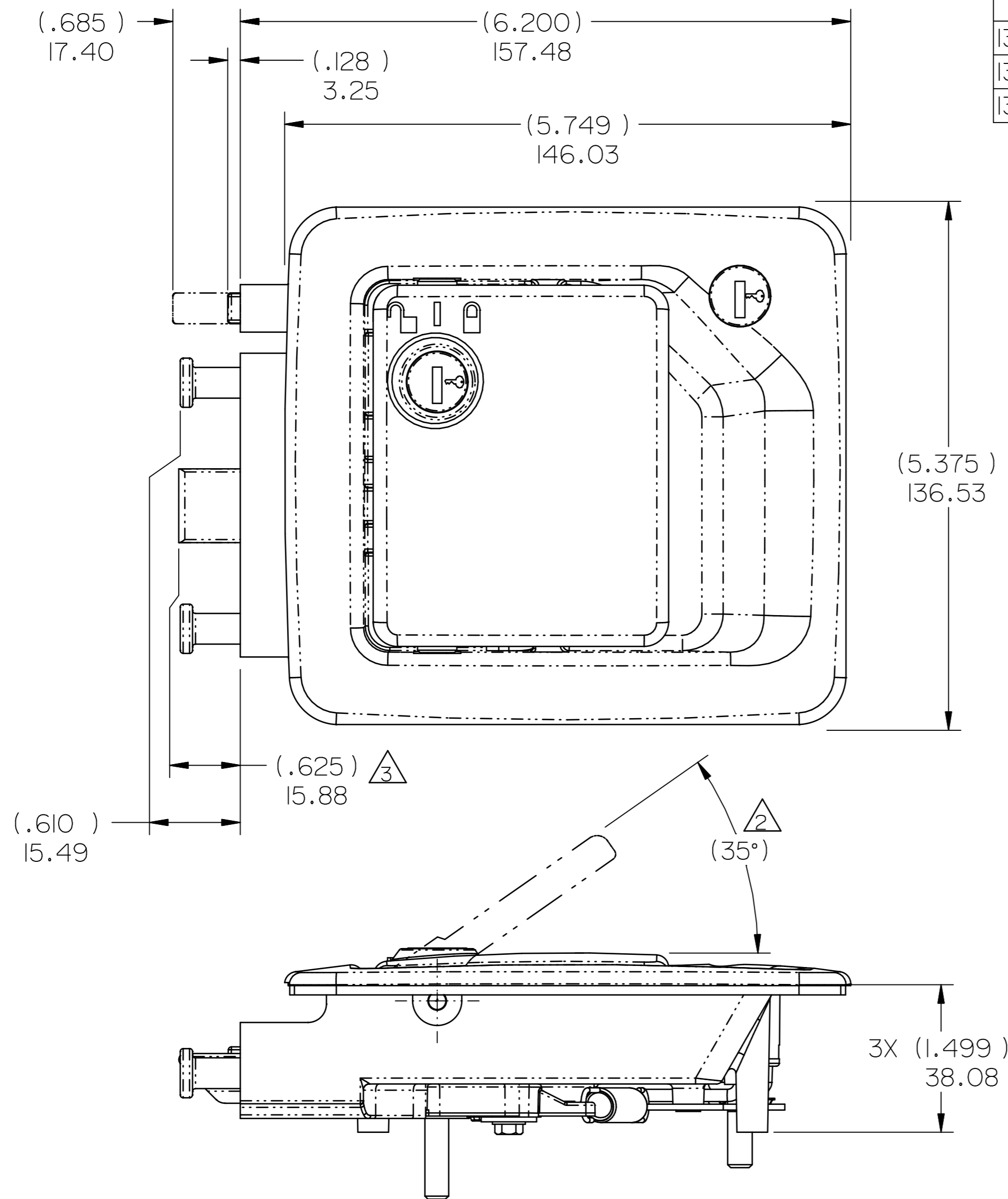


PART NO.	FINISH	MAIN KEY CODE	DEAD BOLT KEY CODE	NUMBER OF KEYS PER LOCK
13217-01	PLATE, COPPER-NICKEL-CHROME	TR1001-TR1098	TM205-TM250	2
13217-02	PAINT, BLACK, LOW GLOSS	TR1001-TR1098	TM205-TM250	2
13217-03	PAINT, BLACK, LOW GLOSS	TR1001-TR1010	TM231-TM240	1



- NOTES:
- ▲ TRIMARK PART NUMBER AND DATE CODE
 - ▲ PADDLE LOCKED RIGID WHEN ASSEMBLY IS IN LOCKED POSITION.
 - ▲ LATCH BOLT RETRACTION 0.500 [12.70].

060-0650 MOTOR HOME ENTRANCE DOOR WITH DEAD BOLT

SPECIFICATION	DESCRIPTION	ITEM	PART NUMBER	DESCRIPTION	QUANTITY	
DRAWN BY: JRS 3/27/02	CHECKED BY: CRZ 3/27/02	MATERIAL				
DESIGN ENG.	MFG. ENG.	HEAT TREAT				
QUALITY ENG.	FINISH					
PROJECT				CUSTOMER	CUSTOMER PART NUMBER	
SIZE				PART WEIGHT	SURFACE AREA	
SCALE				REVISION	PART NUMBER	
REPORT ERRORS TO ENGINEERING DEPARTMENT				DO NOT SCALE DRAWING		

TriMark
 500 Bailey Avenue
 New Hampton, Iowa 50659 U.S.A.
 Tel: 641-394-3188
 Fax: 641-394-2392

This drawing and the information contained herein is the property of TriMark Corporation and shall not be used for any purpose without our written consent.

PART NAME: ASSY, HSG/PDL, PLGR, W/DB
 SCALE: FULL
 REVISION: 0
 PART NUMBER: PR13217-XX