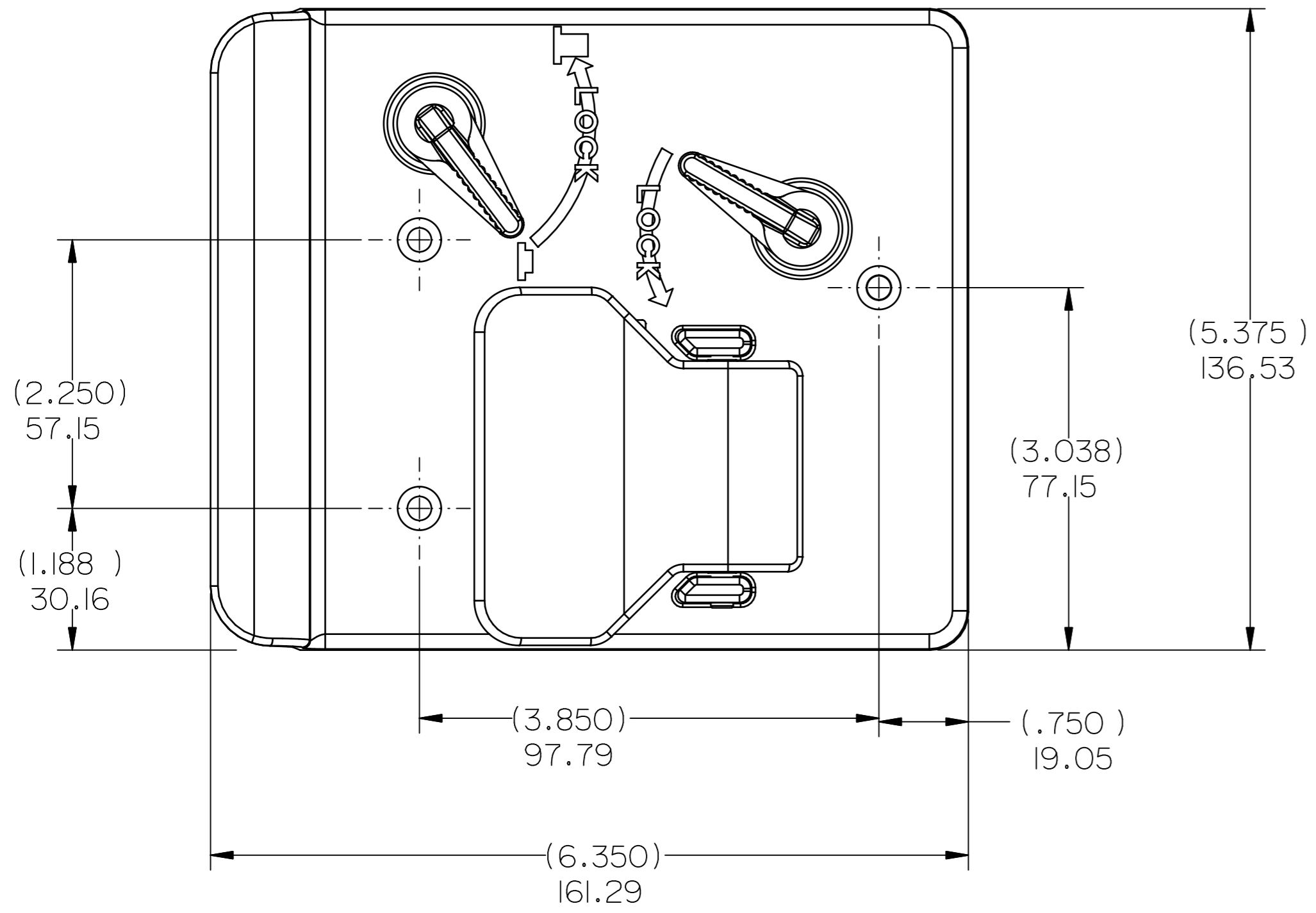
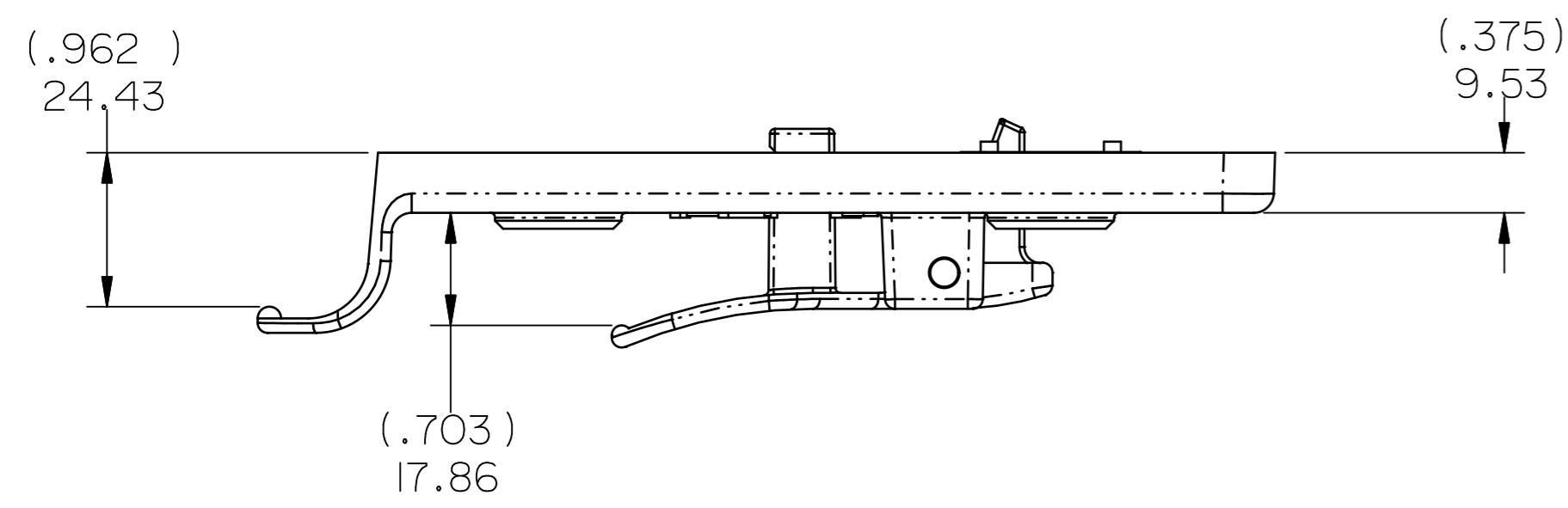
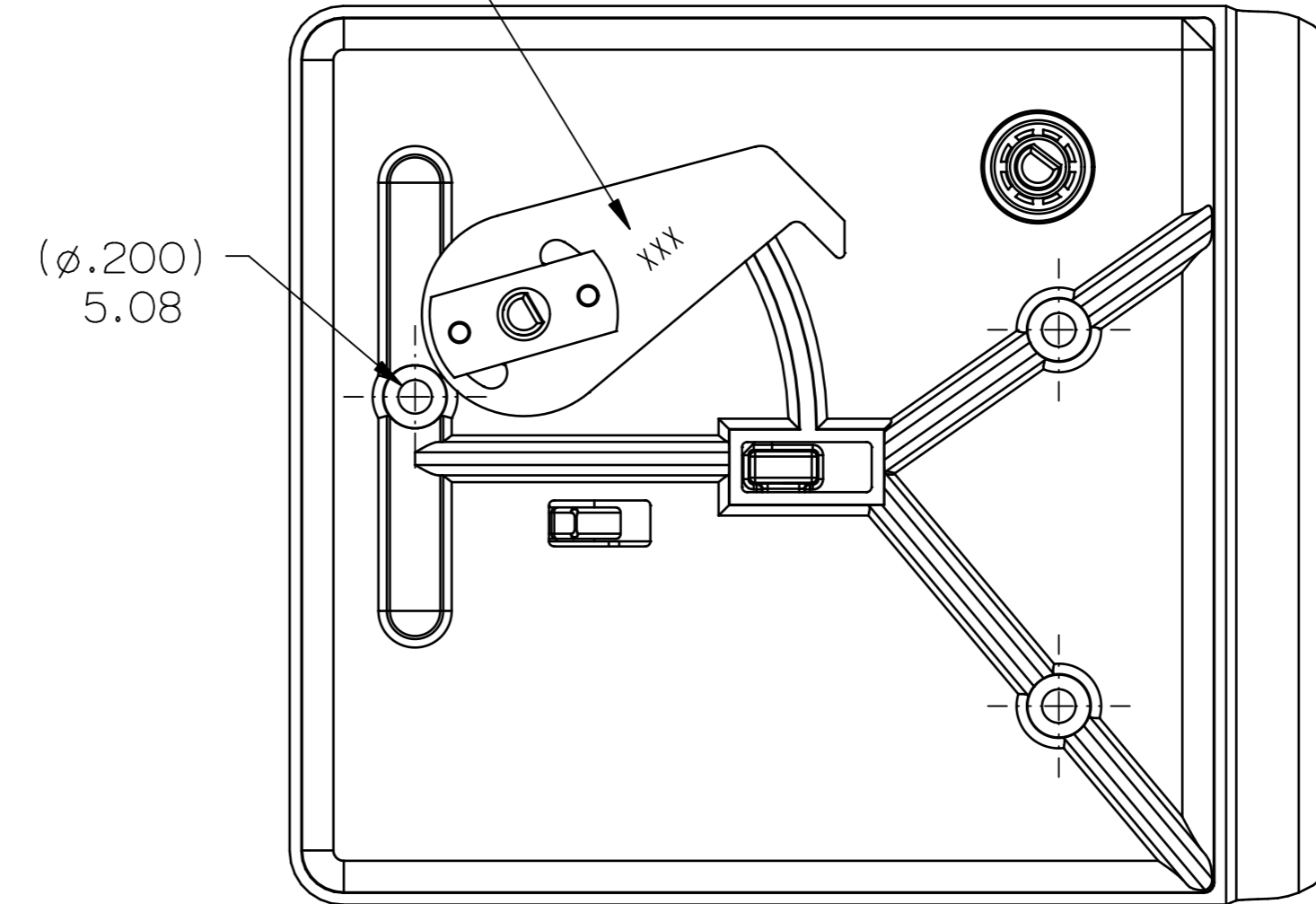
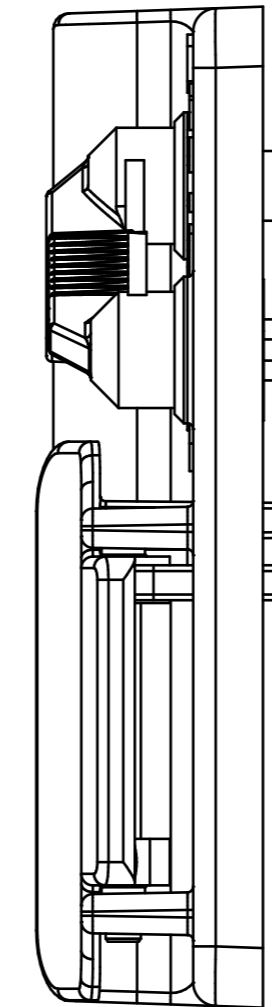


| PART NO. | FINISH |
|----------|-----------------------------|
| 12480-05 | PLATE, COPPER-NICKEL-CHROME |
| 12480-37 | PAINT, BLACK, LOW GLOSS |



TRIMARK DATE CODE



060-0650 MOTOR HOME ENTRANCE DOOR WITH DEAD BOLT (INSIDE)

| SPECIFICATION | DESCRIPTION | ITEM | PART NUMBER | DESCRIPTION | QUANTITY | |
|---|-------------------------|------------------------------|-------------|----------------------|--|---|
| DRAWN BY: JRS 2/28/02 | CHECKED BY: CRZ 2/28/02 | MATERIAL | | | | <p>500 Bailey Avenue New Hampton, Iowa 50659 U.S.A. Tel: 641-394-3188 Fax: 641-394-2392</p> |
| DESIGN ENG. | MFG. ENG. | HEAT TREAT | | | | |
| QUALITY ENG. | FINISH | | | | <small>This drawing and the information contained herein is the property of TriMark Corporation and shall not be used for any purpose without our written consent.</small> | |
| <small>TOLERANCES UNLESS OTHERWISE SPECIFIED</small> <small>Ø.0005 Ø.001 Ø.002 Ø.005 Ø.010 Ø.015 Ø.020 Ø.030 Ø.040 Ø.050 Ø.060 Ø.070 Ø.080 Ø.090 Ø.100</small> | | | | SEE TABLE | | |
| PROJECT | | CUSTOMER | | CUSTOMER PART NUMBER | | |
| PART NAME | | ASSY., PLATE, W/DB, PL, SH | | | | SCALE: FULL REVISION: 0 PART NUMBER: PR12480-XX |
| SIZE: D | | PART WEIGHT | | SURFACE AREA | | |
| INCH (METRIC) | | PRODUCT CODE: F10 (060-0650) | | SCALE: FULL | | |
| REPORT ERRORS TO ENGINEERING DEPARTMENT | | | | DO NOT SCALE DRAWING | | |