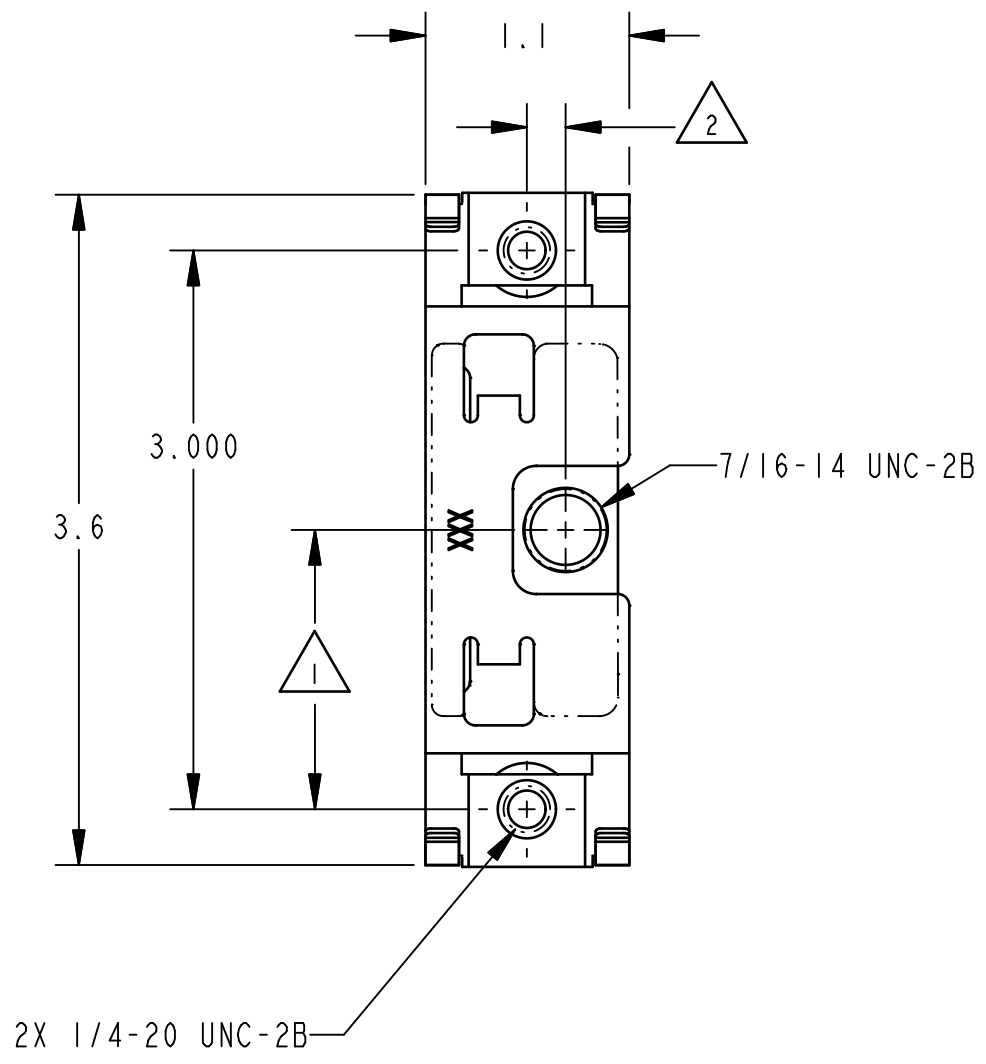
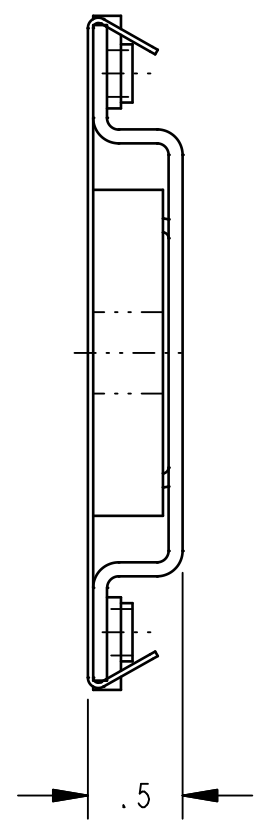


REVISION	ECO	BY	CHECKED	DESCRIPTION
----------	-----	----	---------	-------------



PRODUCT SUPPORT DRAWING
 Individual part dimensions are for reference only. Refer to individual part drawings for complete dimensions and specifications.

NOTES:

- 1 MINIMAL ADJUSTMENT RANGE IN TOP/BOTTOM DIRECTION IS .250 WHEN USED WITH TRIMARK 070-0200 STRIKER BOLT.
- 2 MINIMAL ADJUSTMENT RANGE IN LEFT/RIGHT DIRECTION IS .125 WHEN USED WITH TRIMARK 070-0200 STRIKER BOLT.

SPECIFICATION	DESCRIPTION	ITEM	PART NUMBER	DESCRIPTION	QUANTITY
DRAWN BY MLH 4/25/02 CHECKED BY JRS 4/25/02 DESIGN ENG. GCL MFG. ENG. QUALITY ENG.	MATERIAL HEAT TREAT FINISH				
TOLERANCES UNLESS OTHERWISE SPECIFIED ASME Y14.5M-1994 DIMENSIONS ANGLES X.X = ±.1 X° = ±3° X.XX = ±.03 X.X° = ±1.0° X.XXX = ±.010 X.XX° = ±.50°	PROJECT CUSTOMER		CUSTOMER PART NUMBER		
INCH [METRIC]	SIZE B	PART WEIGHT	SURFACE AREA	PRODUCT CODE K04 (100-0410)	PART NAME ASSY, NUT, CAGE, 7/16 THD
REPORT ERRORS TO ENGINEERING DEPARTMENT			DO NOT SCALE DRAWING		
SCALE FULL		REVISION A	PART NUMBER PRI2111		

TriMark®
 500 Bailey Avenue
 New Hampton, Iowa 50659 U.S.A.
 Tel: 641-394-3188
 Fax: 641-394-2392

This drawing and the information contained herein is the property of TriMark Corporation and shall not be used for any purpose without our written consent.