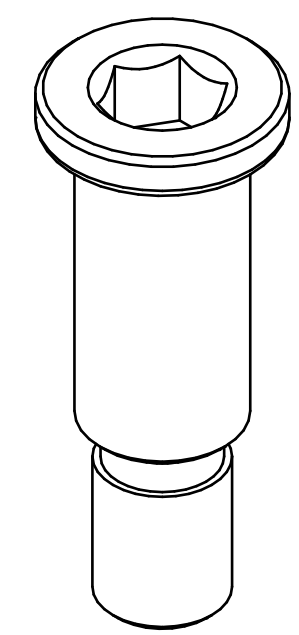
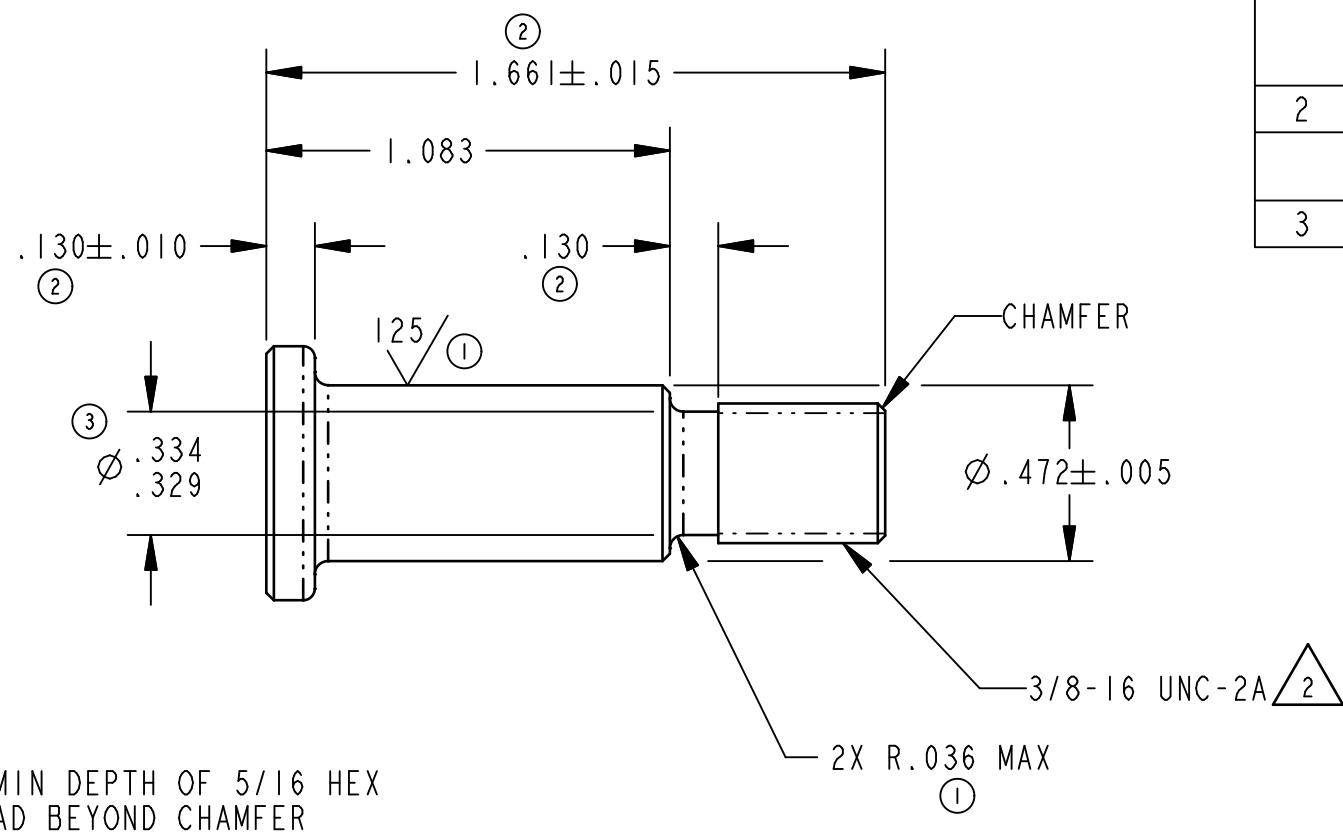
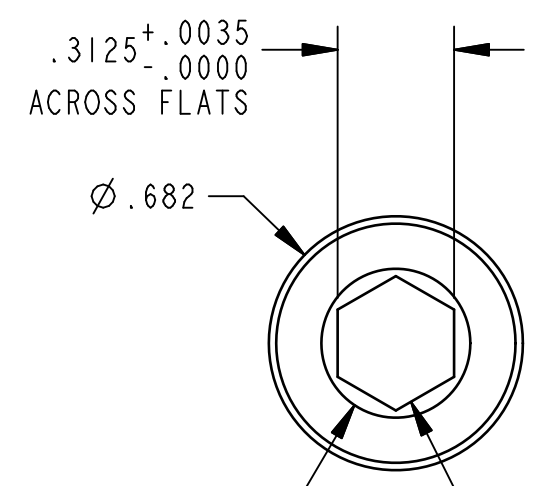


REVISION	ECO	BY	CHECKED	DESCRIPTION
1	18872	MLH 4/10/01	JRS 4/10/01	REMOVED SIGN CHARS, 2X .020 X 45°, R.031; ADDED SURF CLAS; (✓ Ø.428 MAX X 90°) WAS ✓ Ø.412 MAX X 90°, 2X R.036 MAX WAS 2X R.031
2	19116	MLH 10/3/01	JRS 10/3/01	ADDED 1.661±.015, .130 ±.010; DELETED .945, .453; .130 WAS .125
3	19238	MLH 2/21/02	JRS 2/21/02	Ø.329-.334 WAS Ø.320



ISO VIEW

(✓ Ø.428 MAX X 90°)  
①

.182 MIN DEPTH OF 5/16 HEX IN HEAD BEYOND CHAMFER

- NOTES:
- REMOVE ALL BURRS AND SHARP EDGES.
  - FOR MAJOR Ø AND PITCH Ø BEFORE AND AFTER COATING, SEE THREAD TABLE.
  - MATERIAL CERTIFICATION AND HEAT TREAT CERTIFICATION REQUIRED WITH SHIPMENT.

SPECIFICATION	DESCRIPTION	ITEM	PART NUMBER	DESCRIPTION	QUANTITY
		1	17552-01	STL, 41L40, .750 RND	

<b>DRAWN BY</b>	ESS	3/18/99	<b>MATERIAL</b>		
<b>CHECKED BY</b>	DAB	3/19/99	<b>HEAT TREAT</b>		
<b>DESIGN ENG.</b>	DAB	9/18/00	HEAT TREAT PER ES-141		
<b>MFG. ENG.</b>			<b>FINISH</b>		
<b>QUALITY ENG.</b>			PLATE, ZINC/COAT, CHROMATE, YELLOW PER ES-104A		
<b>TOLERANCES UNLESS OTHERWISE SPECIFIED</b>			<b>PROJECT</b>	<b>CUSTOMER</b>	<b>CUSTOMER PART NUMBER</b>
ASME Y14.5M-1994					
DIMENSIONS			<b>SIZE</b>	<b>PART WEIGHT</b>	<b>SURFACE AREA</b>
X.X	±.1	X°	B		
X.XX	±.03	X.X°			
X.XXX	±.010	X.XX°			
INCH [METRIC]					<b>PRODUCT CODE</b>
					G06 (070-0400)
			<b>REPORT ERRORS TO ENGINEERING DEPARTMENT</b>		<b>DO NOT SCALE DRAWING</b>

**TriMark®**  
 500 Bailey Avenue  
 New Hampton, Iowa 50659 U.S.A.  
 Tel: 641-394-3188  
 Fax: 641-394-2392

This drawing and the information contained herein is the property of TriMark Corporation and shall not be used for any purpose without our written consent.

THREAD TABLE			
	BEFORE COATING		AFTER COATING
	MINIMUM	MAXIMUM	MAXIMUM
MAJOR Ø	0.3643	0.3737	0.3750
MINOR Ø	0.3287	0.3331	0.3344

PART NAME		
BOLT, STKR, 3/8-16X1.661, .472		
<b>SCALE</b>	<b>REVISION</b>	<b>PART NUMBER</b>
2:1	3	16904-01