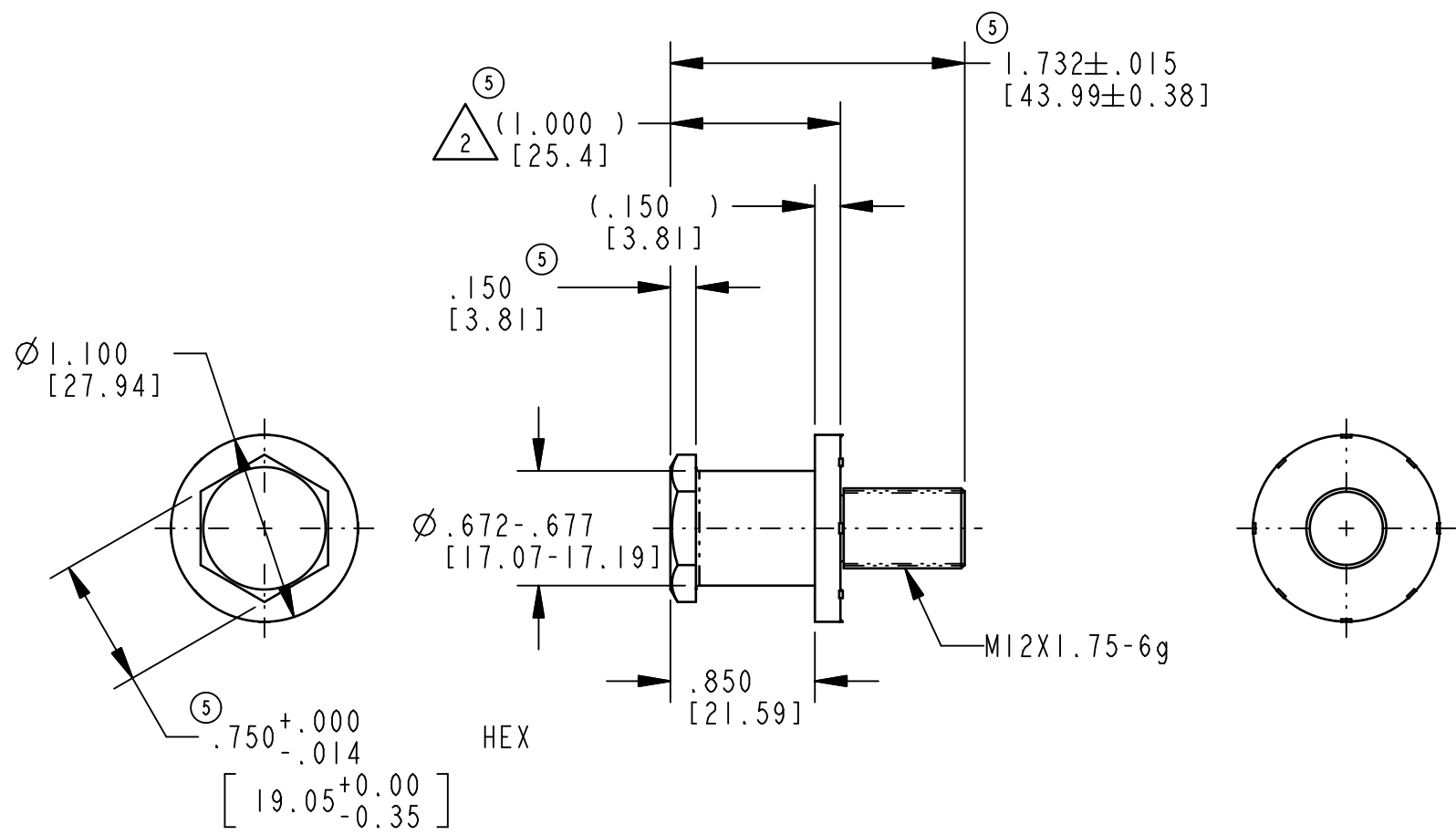
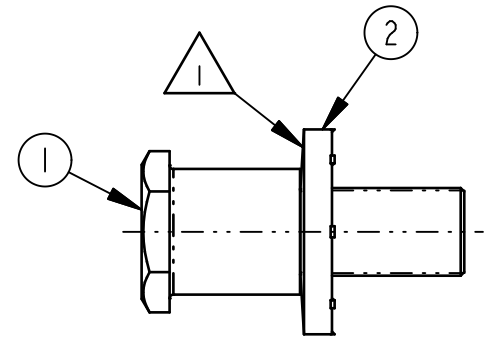


REV.	ECN	BY	CHKD	REVISION
4	10702	JJH 10/19/98	CML 10/19/98	STANDARD PACKAGING 300 PCS/BOX WAS STANDARD PACKAGING 303 PCS/BOX; REVISED PART NAME
5	1544	JRS 10/5/99	AEP 10/5/99	(1.000) WAS 1.000; (.150) WAS .150; 1.732±.015 WAS 1.732; .750+.000/-.014 WAS .750; REVISED MATERIAL; HEAT TREAT; FINISH; PART NAME; NOTES



- ⑤ NOTES:
- ① WASHER ORIENTATION IMPORTANT.
 - ② WASHER SHOWN IN INSTALLED POSITION.
 - ③ DIMENSIONS IN [] ARE MILLIMETERS FOR REFERENCE ONLY.
 - ④ FINISH IS FOR REFERENCE ONLY.



ITEM	PART NO.	DESCRIPTION	QTY.
2	80869-16	WSHR, BVL, .460X1.100X.150	1
1	80902-16	BLT, STKR, M12X1.75X1.732, 3/4	1

SPEC	DESCRIPTION	MATL
		MATERIAL PER ES-141
		HEAT TREAT PER ES-141
		FINISH ④ PLATE, ZINC/COAT, CHROMATE, YELLOW PER ES-104A
		PROJECT L83072-13 CUSTOMER CATERPILLAR CUSTOMER PART NO. 8T4157
		SIZE B PART WT. SURFACE AREA PROD CODE 070-0200
		REPORT ERRORS TO ENGINEERING DEPT. DO NOT SCALE DRAWING

TRI/MARK
AN EMPLOYEE-OWNED CORPORATION

Industrial Park
New Hampton, Iowa 50659
Telephone: 515-394-3188
Fax: 515-394-2392

THIS DRAWING AND THE INFORMATION CONTAINED HEREIN IS THE PROPERTY OF TRI/MARK CORP. AND SHALL NOT BE USED FOR ANY PURPOSE WITHOUT OUR WRITTEN CONSENT

PART NAME ④ ⑤
ASSY, BLT/WSHR, 1.000 SHLDR, M12X1.75

SCALE FULL REV. 5 PART NO. 11111-XX

11111-16-BX	SPECIAL PACKAGING 50 PCS/BOX
11111-16	STANDARD PACKAGING ④ 300 PCS/BOX
PART NO.	VERSION

TOLERANCES UNLESS OTHERWISE SPECIFIED
ANSI Y14.5M-1982

DIMENSIONS	ANGLES
X.X = ±.1	X° = ±3°
X.XX = ±.03	X.X° = ±1.0°
X.XXX = ±.010	X.XX° = ±.50°

INCH [METRIC]

FORM 163-210 REV. 1.0 10/15/93