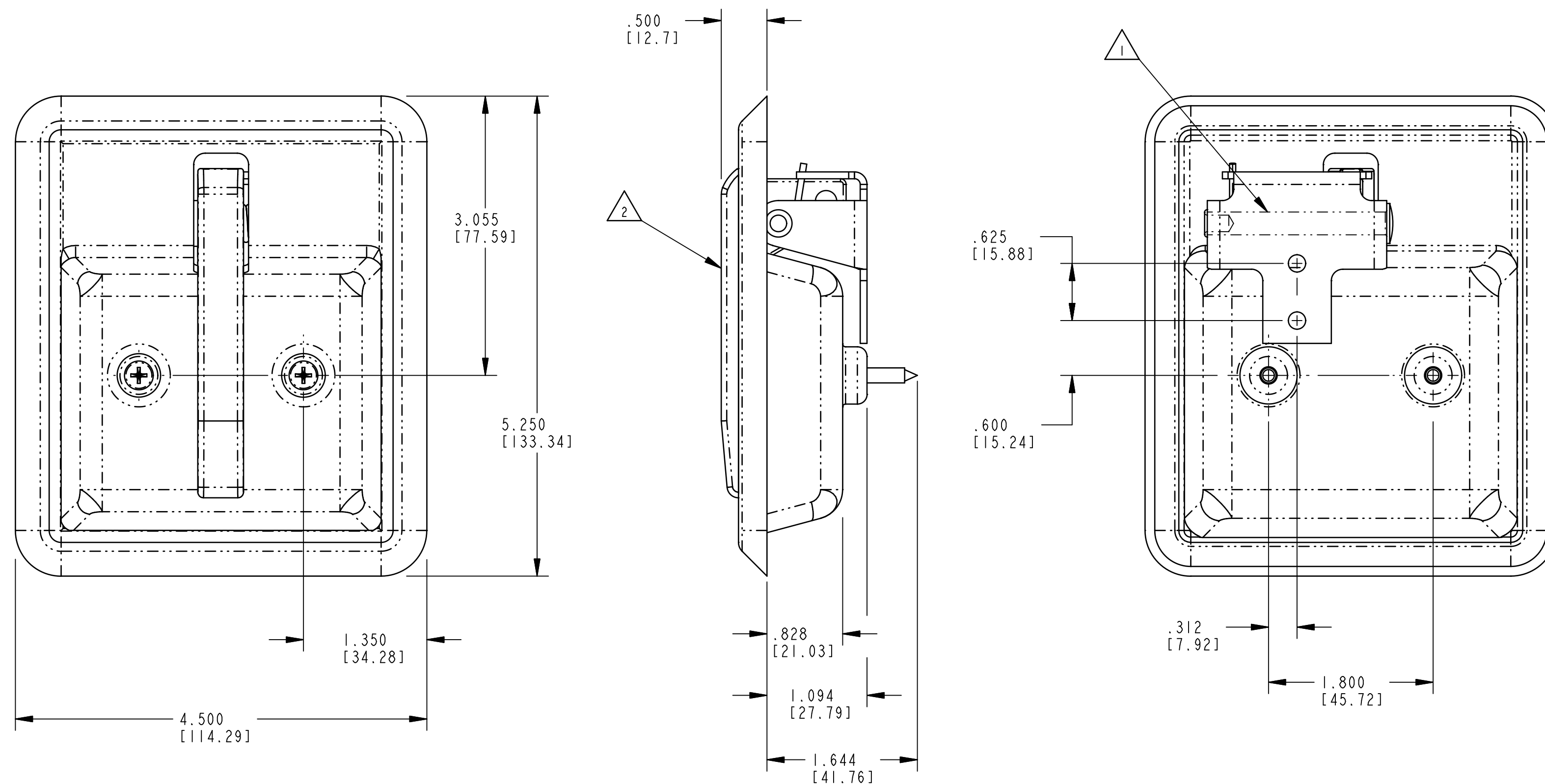


REV.	ECN	BY	CHKD	REVISION
1	10452	JMH 4/29/98	BJP 4/29/98	REVISED PART NAME



NOTES:

- 1 SEMI-TUBULAR RIVET INSTALLED FROM EITHER SIDE OF RETAINER.
- 2 RELEASE LEVER ROTATES 37° MAX.
- 3. DIMENSIONS IN [] ARE IN MILLIMETERS FOR REFERENCE ONLY.

PRODUCT SUPPORT DRAWING
 Individual part dimensions are for reference only. Refer to individual part drawings for complete dimensions and specifications.

SPEC	DESCRIPTION	ITEM	PART NO.	DESCRIPTION	QTY.
DRAWN BY DA 8/27/97	CHECKED BY KEC 8/27/97	DESIGN ENG. DAB 8/27/97	MFR. ENGR.	QUALITY ENGR.	
UNLESS OTHERWISE SPECIFIED FINISH PROJECT LA90003-21 CUSTOMER CUSTOMER PART NO.		MATERIAL HEAT TREAT PROJECT LA90003-21 CUSTOMER CUSTOMER PART NO.		PART NAME ① 030-0425, L.H. INSBZL, NLKG	
INCH [METRIC] FORM 163-210 REV. 1.0 10/15/93		SIZE C REPORT ERRORS TO ENGINEERING DEPT.	PART WT. SURFACE AREA PROD CODE 030-0425 DO NOT SCALE DRAWING	SCALE FULL REV. 1 PART NO. PRI2167	



THIS DRAWING AND THE INFORMATION CONTAINED HEREIN IS THE PROPERTY OF TRI/MARK CORP. AND SHALL NOT BE USED FOR ANY PURPOSE WITHOUT OUR WRITTEN CONSENT.