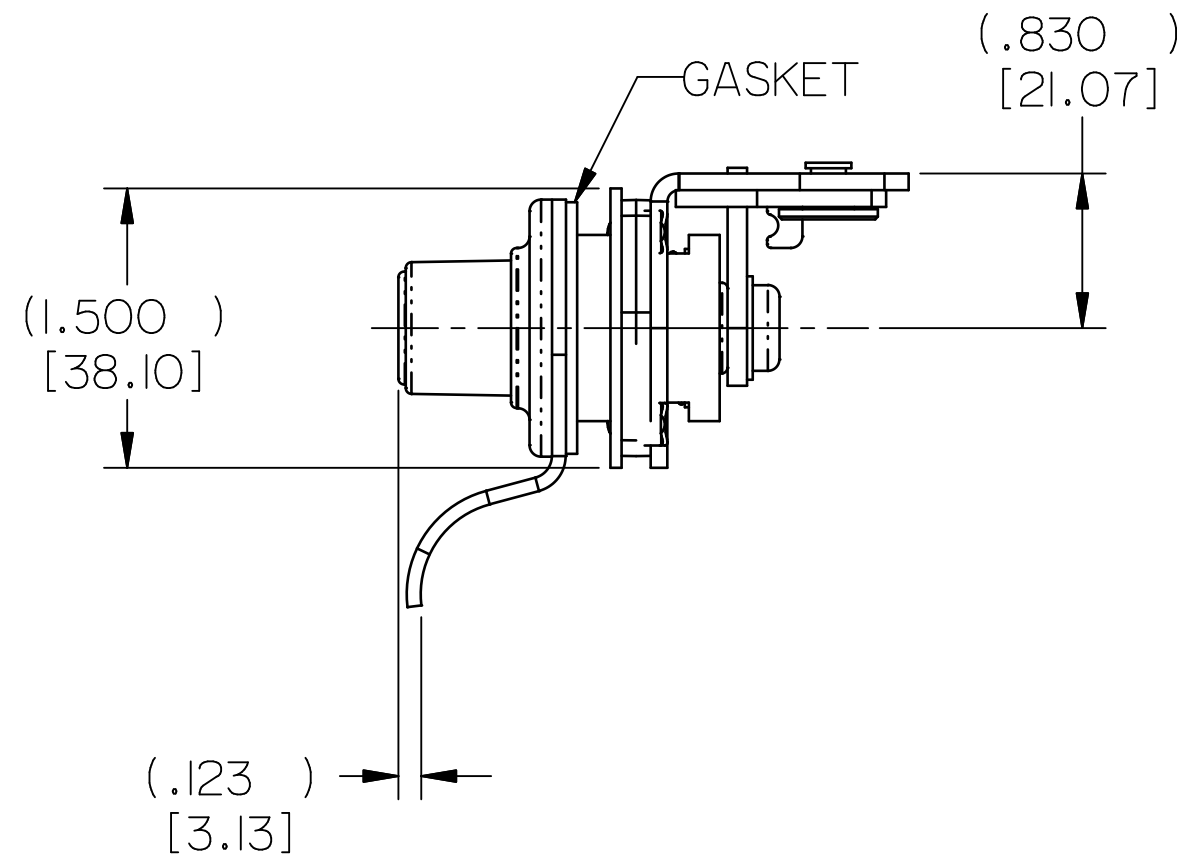
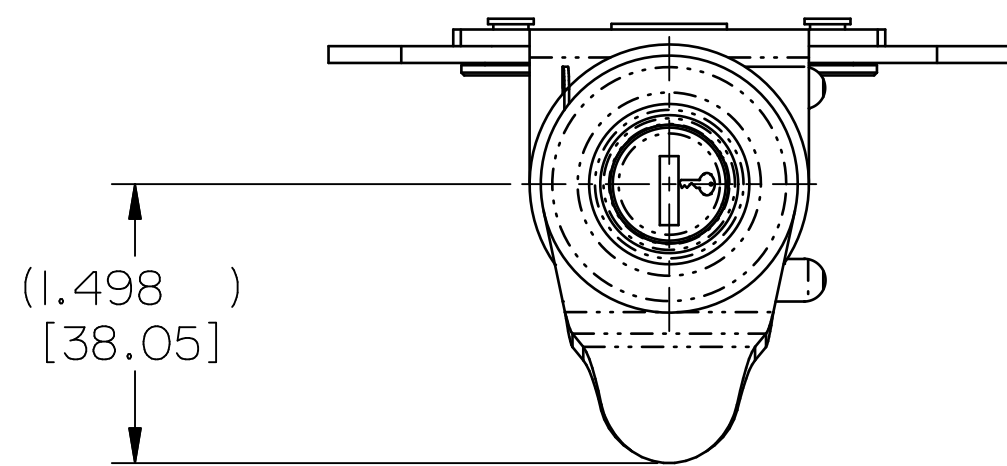


RECOMMENDED CUTOUT DETAILS



040-0400 PUSHBUTTON, TRI001-098,2 KEYS

SPECIFICATION		DESCRIPTION		ITEM	PART NUMBER	DESCRIPTION	QUANTITY																	
DRAWN BY	JRS 3/26/02	MATERIAL				<p>500 Bailey Avenue New Hampton, Iowa 50659 U.S.A. Tel: 641-394-3188 Fax: 641-394-2392</p>																		
CHECKED BY	CRZ 3/26/02	HEAT TREAT					<p>This drawing and the information contained herein is the property of TriMark Corporation and shall not be used for any purpose without our written consent.</p>																	
DESIGN ENG.		FINISH						<p>PART NAME PUSHBUTTON,CTR CONT,BAGGED</p>																
MFG. ENG.		PROJECT	CUSTOMER	CUSTOMER PART NUMBER					SCALE	REVISION	PART NUMBER													
QUALITY ENG.		<p>TOLERANCES UNLESS OTHERWISE SPECIFIED</p> <table border="1"> <tr> <td>FINISH</td> <td>AS SHOWN</td> </tr> <tr> <td>DIMENSIONS</td> <td>ANGLES</td> </tr> <tr> <td>PROFILING</td> <td>AS SHOWN</td> </tr> <tr> <td>POSITION</td> <td>AS SHOWN</td> </tr> <tr> <td>FORM</td> <td>AS SHOWN</td> </tr> <tr> <td>FINISH</td> <td>AS SHOWN</td> </tr> <tr> <td>FINISH</td> <td>AS SHOWN</td> </tr> </table>		FINISH	AS SHOWN	DIMENSIONS	ANGLES	PROFILING	AS SHOWN	POSITION	AS SHOWN	FORM	AS SHOWN	FINISH	AS SHOWN	FINISH	AS SHOWN	SIZE	PART WEIGHT	SURFACE AREA	PRODUCT CODE			
FINISH	AS SHOWN																							
DIMENSIONS	ANGLES																							
PROFILING	AS SHOWN																							
POSITION	AS SHOWN																							
FORM	AS SHOWN																							
FINISH	AS SHOWN																							
FINISH	AS SHOWN																							
				C			D04 (040-0400)																	
				REPORT ERRORS TO ENGINEERING DEPARTMENT		DO NOT SCALE DRAWING		FULL	0	PRI5992-01														