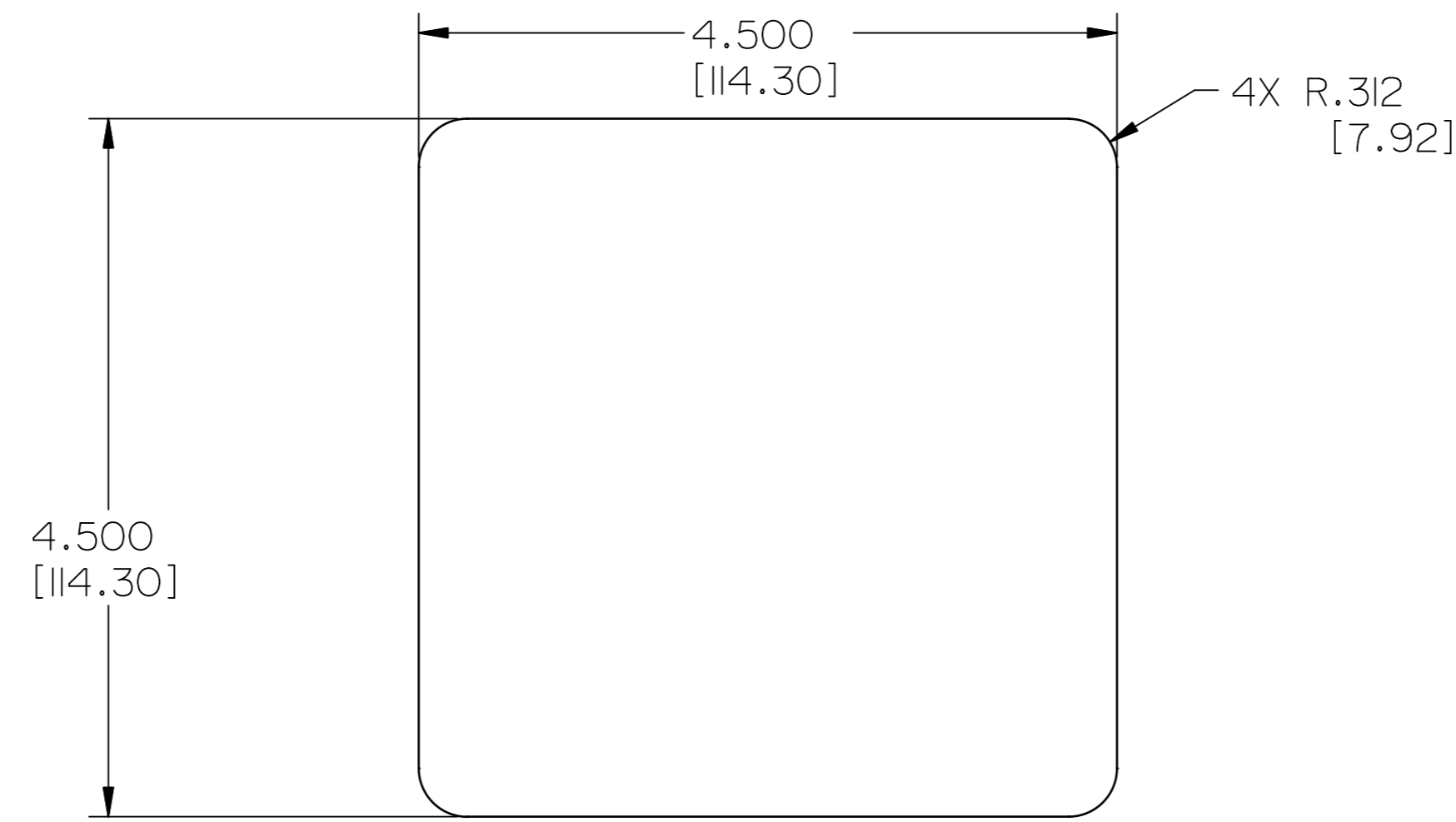
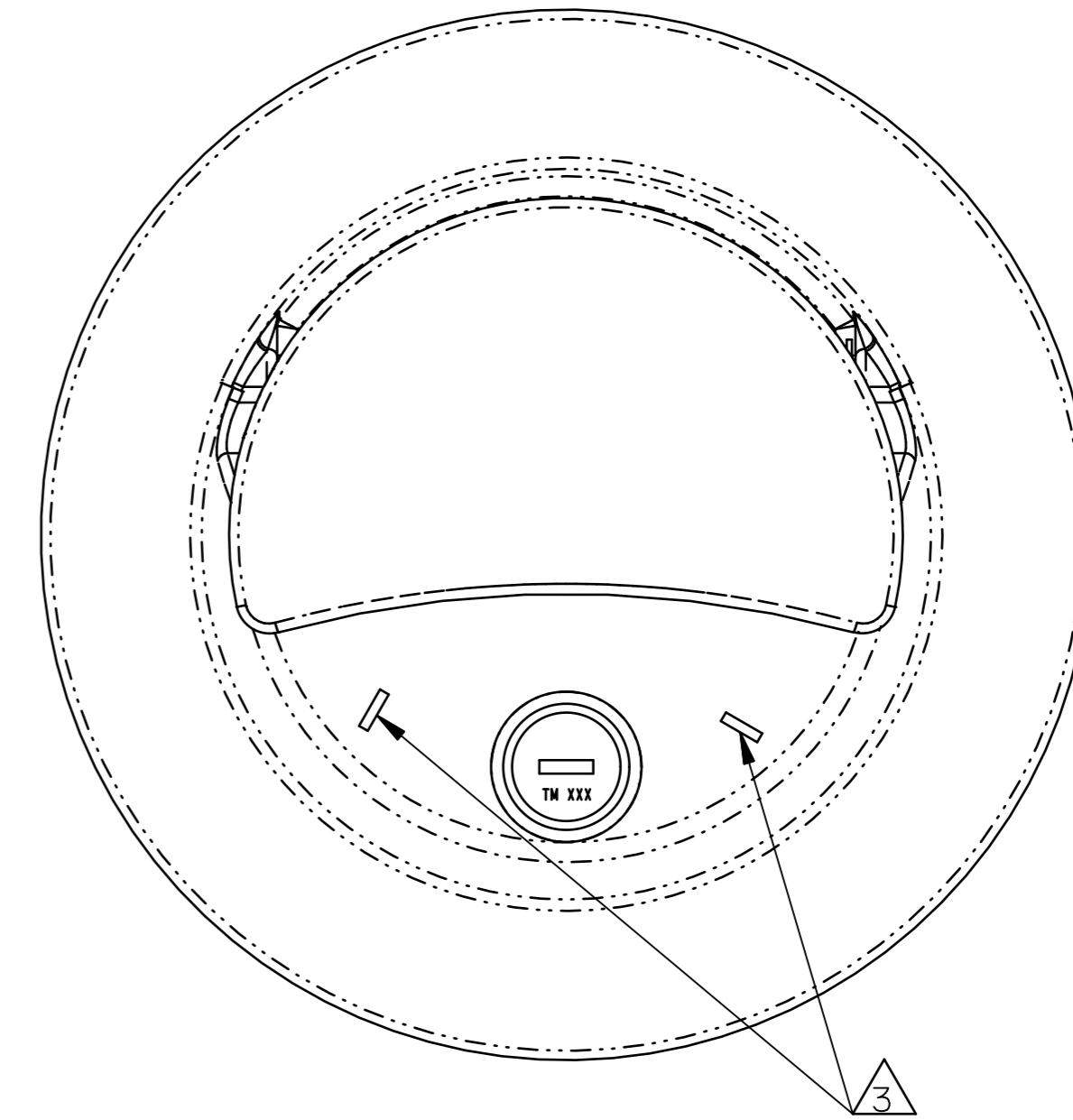
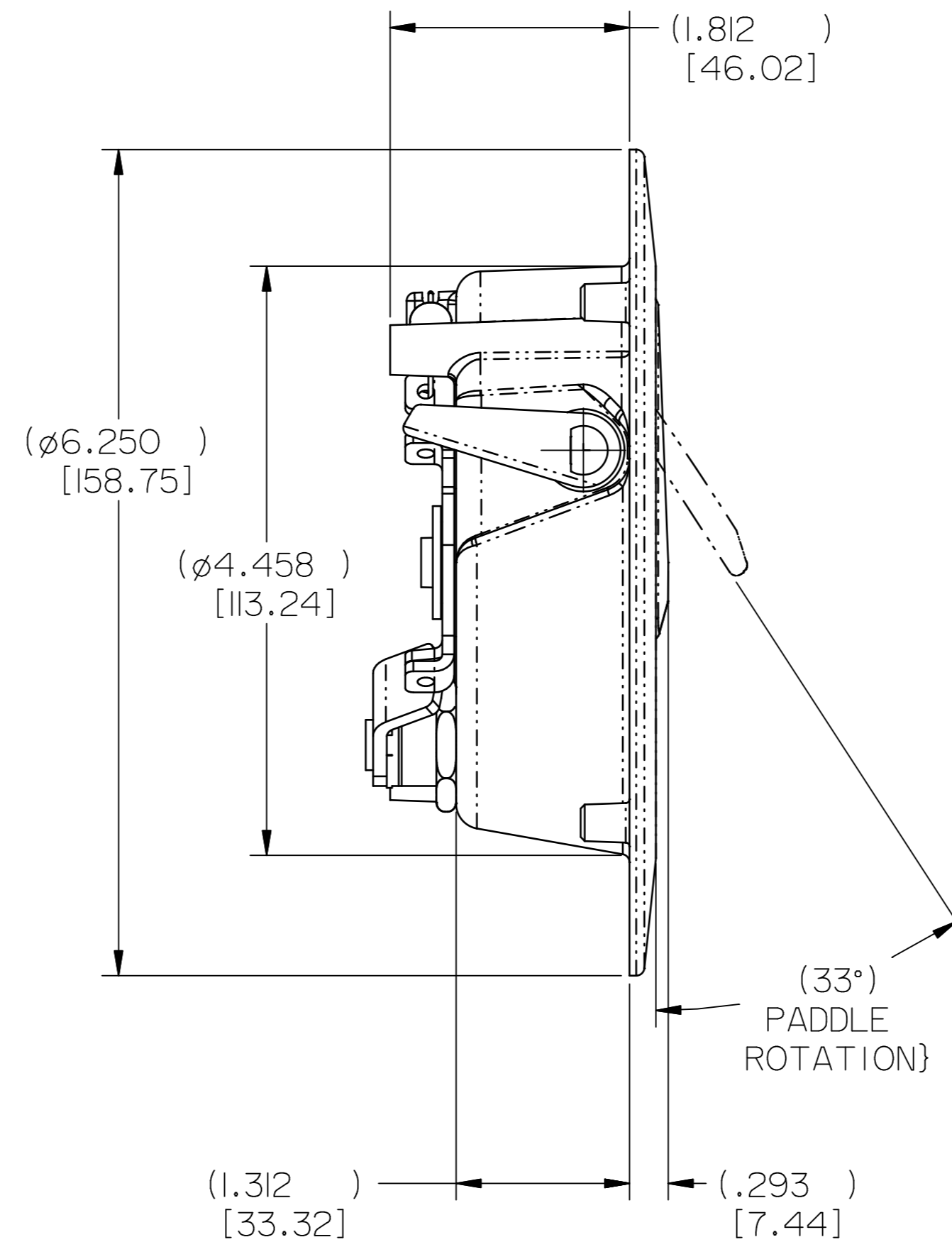
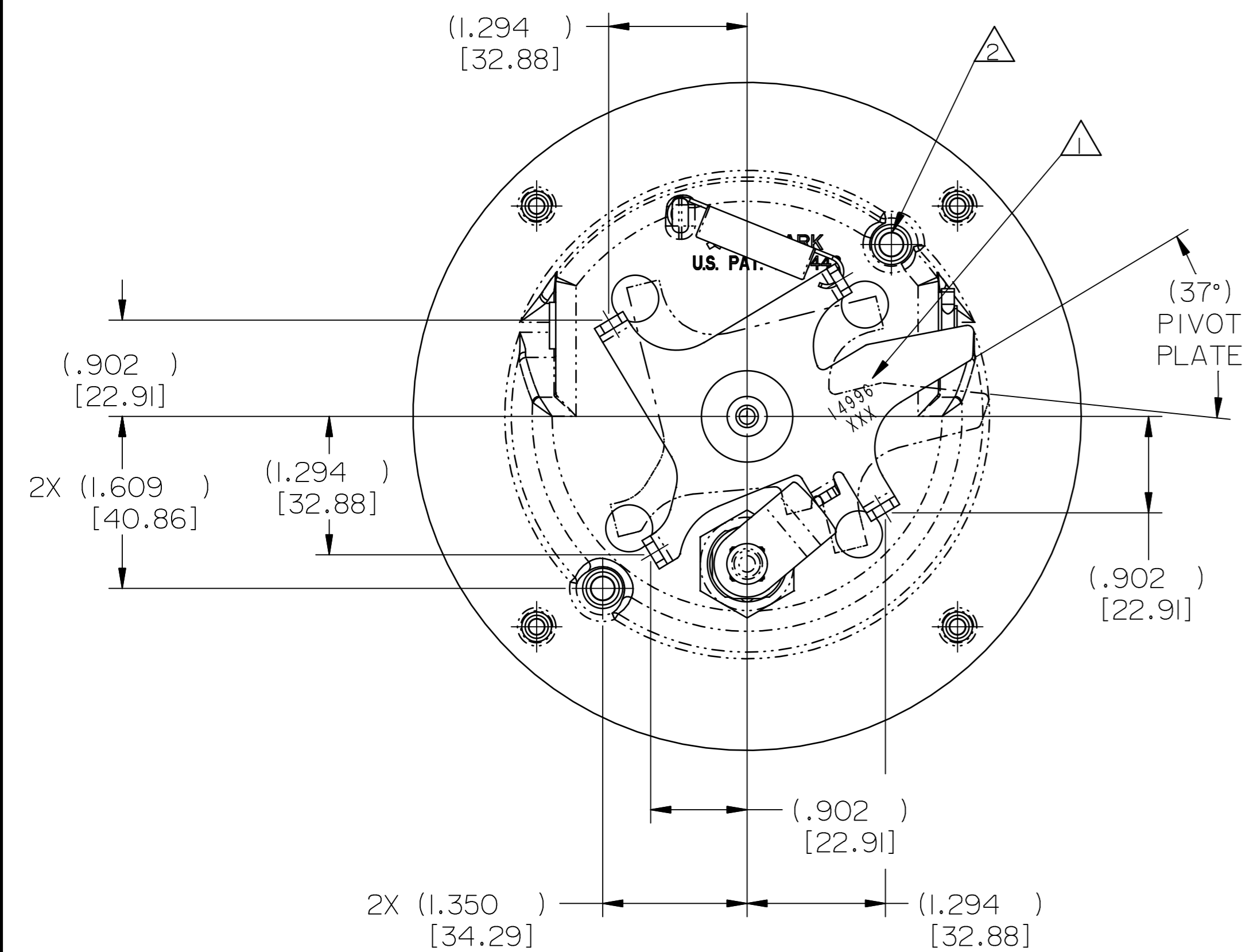


PART NO.	FINISH	KNOCKOUTS
14996-01	LOW GLOSS BLACK	YES
14996-02	COPPER-NICKEL-NICKEL-CHROME	YES
14996-03	LOW GLOSS BLACK	NO
14996-04	COPPER-NICKEL-NICKEL-CHROME	NO

REVISION	ECO	BY	CHECKED	DESCRIPTION
----------	-----	----	---------	-------------



RECOMMENDED CUTOUT DETAIL



030-1300 D STYLE PADDLE HANDLE, TM 700 KEY CODE

NOTES:

- 1 TRIMARK PART NUMBER AND DATE CODE.
- 2 MOUNTS WITH TWO (2) 1/4-24 UNC THREAD CUTTING SCREWS. (SUPPLIED SEPARATELY)
- 3 EMERGENCY KNOCKOUT INDICATORS OPTIONAL. SEE TABLE

SPECIFICATION		DESCRIPTION	ITEM	PART NUMBER	DESCRIPTION	QUANTITY
DRAWN BY	JRS	3/26/02	MATERIAL			
CHECKED BY	CRZ	3/26/02	HEAT TREAT			
DESIGN ENG.			FINISH			
MFG. ENG.			SEE TABLE			
QUALITY ENG.			PROJECT			
TOLERANCES UNLESS OTHERWISE SPECIFIED ASME Y14.5M-1994 DIMENSIONS ANGLES X.X ±.1 ° ±.3° X.XX ±.03 ° ±1.0° X.XXX ±.010 ° ±.50°			CUSTOMER		CUSTOMER PART NUMBER	
INCH [METRIC]			SIZE	PART WEIGHT	SURFACE AREA	PRODUCT CODE
			D			C29(030-1300)
			REPORT ERRORS TO ENGINEERING DEPARTMENT		DO NOT SCALE DRAWING	
			SCALE		REVISION	PART NUMBER
			FULL		0	PRI4996-XX



This drawing and the information contained herein is the property of TriMark Corporation and shall not be used for any purpose without our written consent.