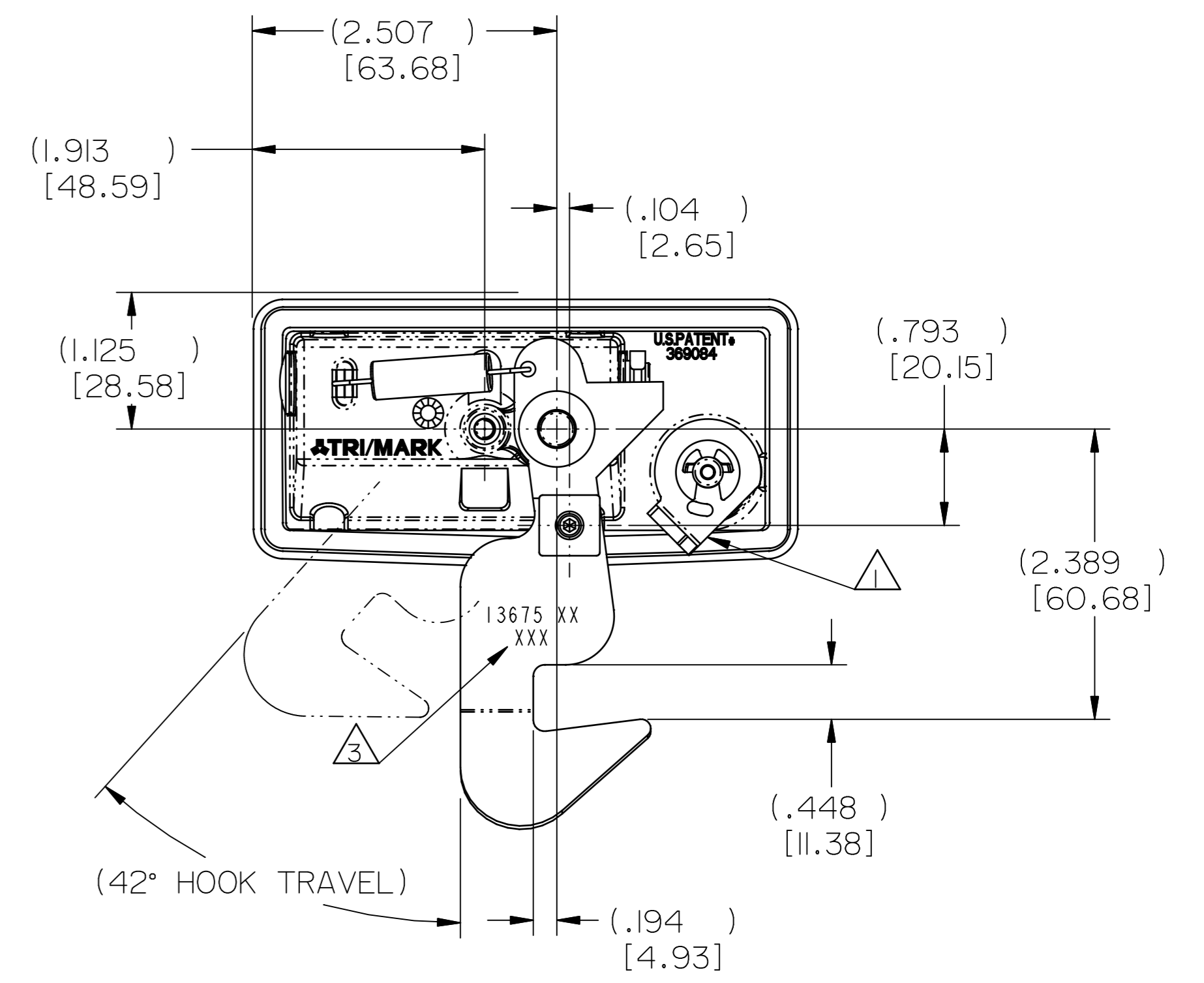
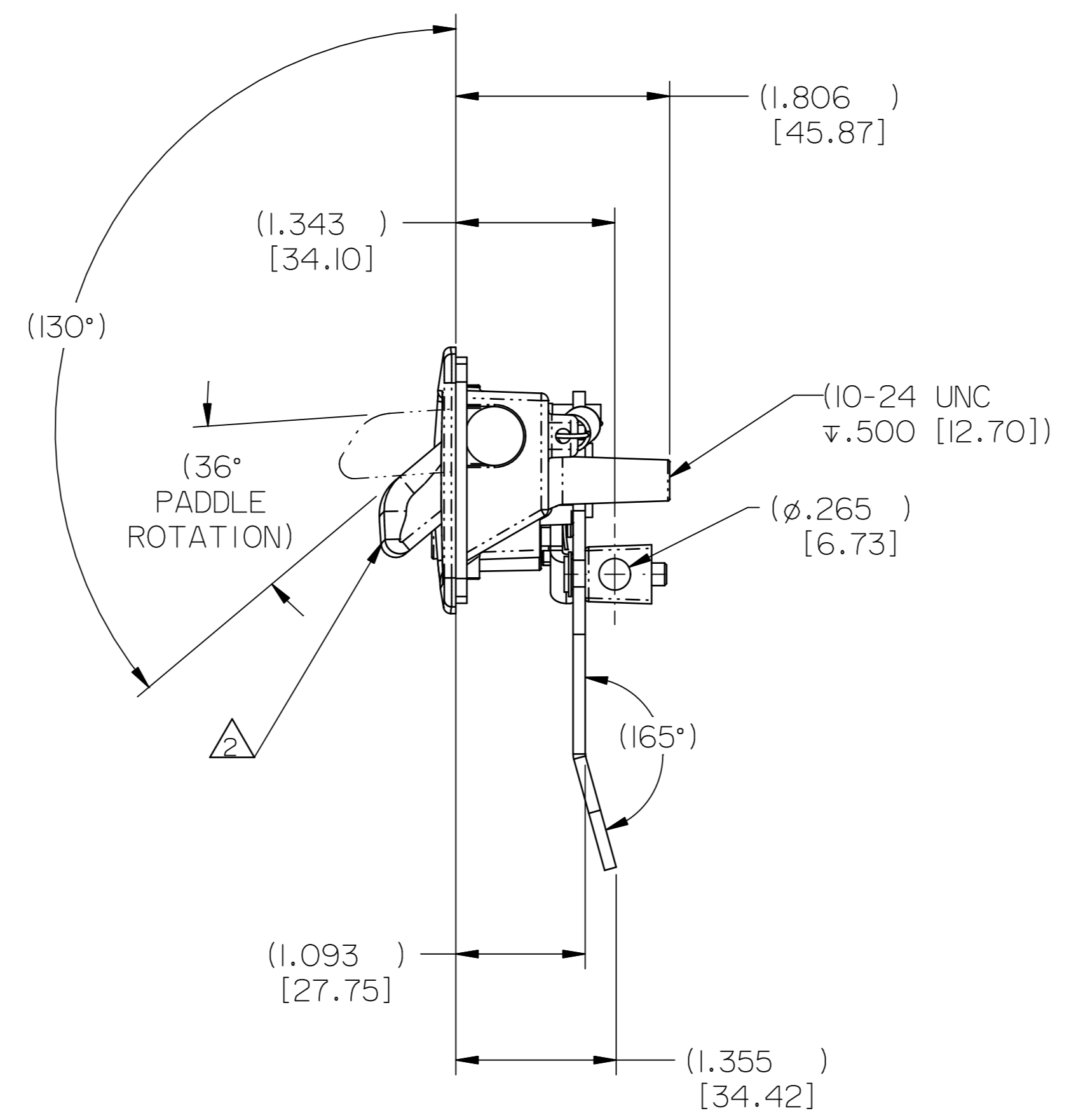
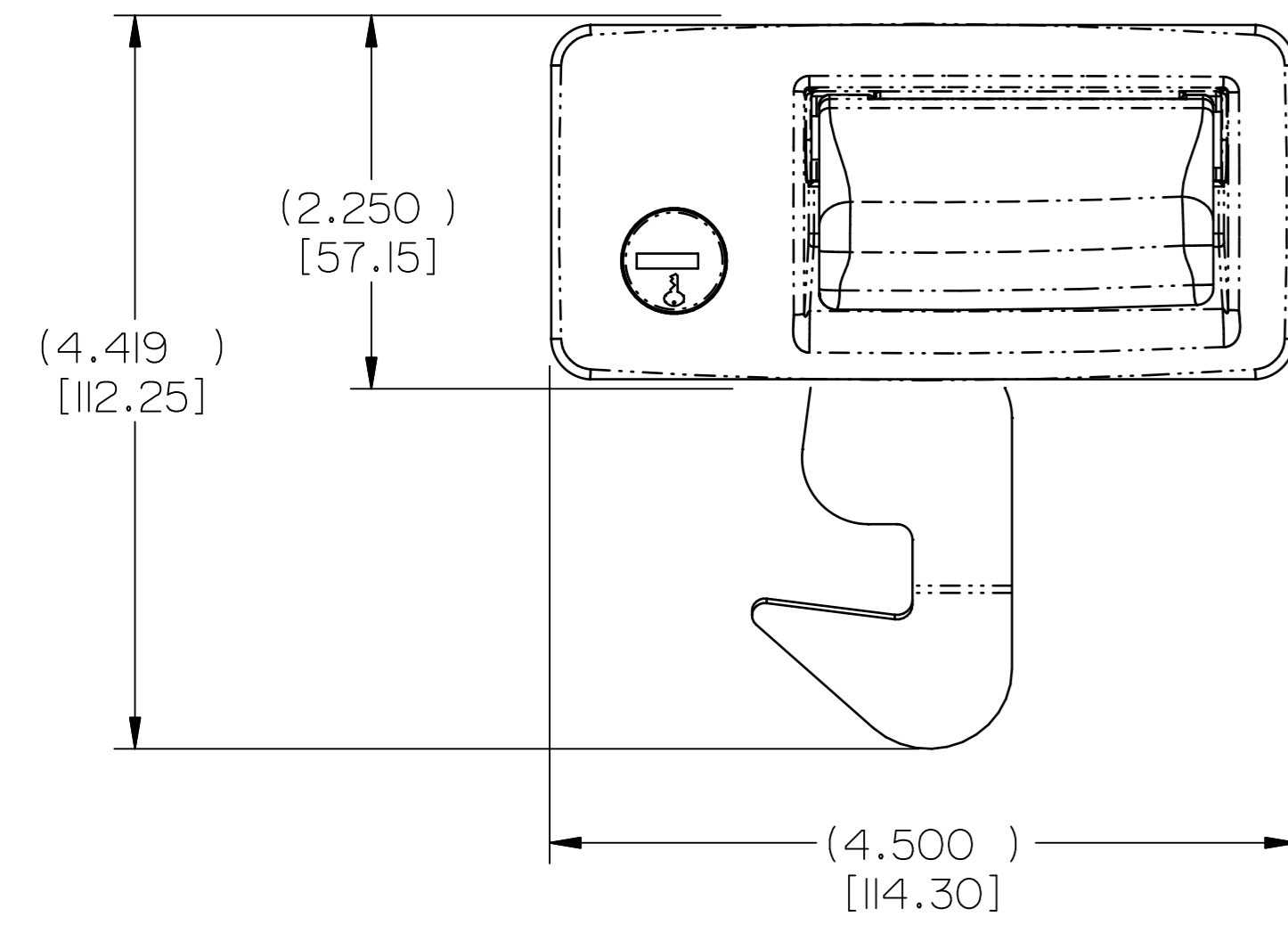
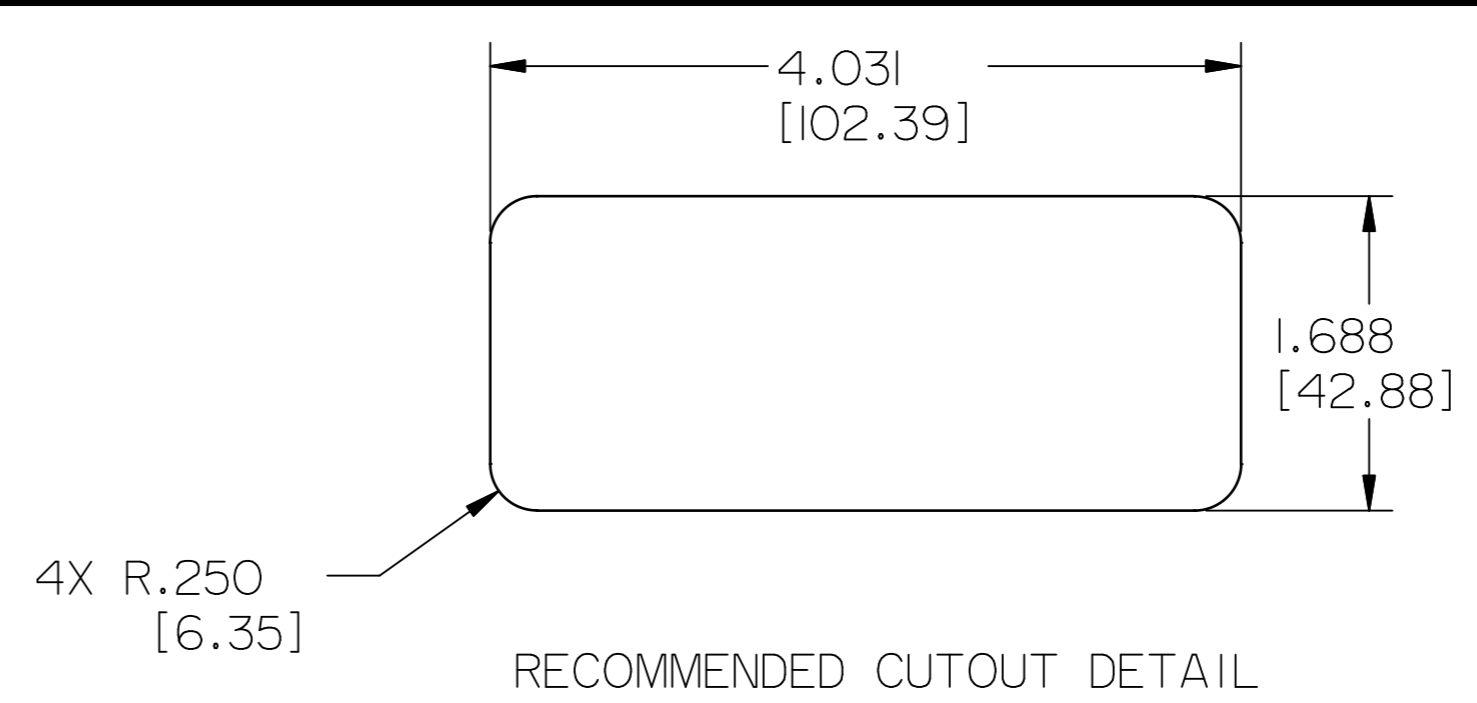


PART NO.	KEY CODE	FINISH	KEYS (QTY)
13675-01	TM60I-TM650	PAINT, BLACK, LOW GLOSS	YES (2)

REVISION	ECO	BY	CHECKED	DESCRIPTION
----------	-----	----	---------	-------------



NOTES:

- △ ASSEMBLY SHOWN AND SHIPPED IN UNLOCKED POSITION.
- △ PADDLE LOCKED RIGID WHEN ASSEMBLY IS IN LOCKED POSITION.
- △ TRIMARK PART NUMBER AND DATE CODE.

030-1125 PADDLE HANDLE ASSEMBLY WITH HOOK

SPECIFICATION		DESCRIPTION	ITEM	PART NUMBER	DESCRIPTION	QUANTITY
DRAWN BY	JRS 3/22/02	MATERIAL				
CHECKED BY	MLH 3/22/02	HEAT TREAT				
DESIGN ENG.		FINISH				
MFG. ENG.		SEE TABLE				
QUALITY ENG.		PROJECT		CUSTOMER	CUSTOMER PART NUMBER	
		SIZE	PART WEIGHT	SURFACE AREA	PRODUCT CODE	
		D			C27 (030-1125)	
		REPORT ERRORS TO ENGINEERING DEPARTMENT		DO NOT SCALE DRAWING		
					SCALE	REVISION
					FULL	0
					PART NAME	PDL HANDLE ASSY W/HOOK
					PART NUMBER	PR13675-XX

TriMark
 500 Bailey Avenue
 New Hampton, Iowa 50659 U.S.A.
 Tel: 641-394-3188
 Fax: 641-394-2392

This drawing and the information contained herein is the property of TriMark Corporation and shall not be used for any purpose without our written consent.