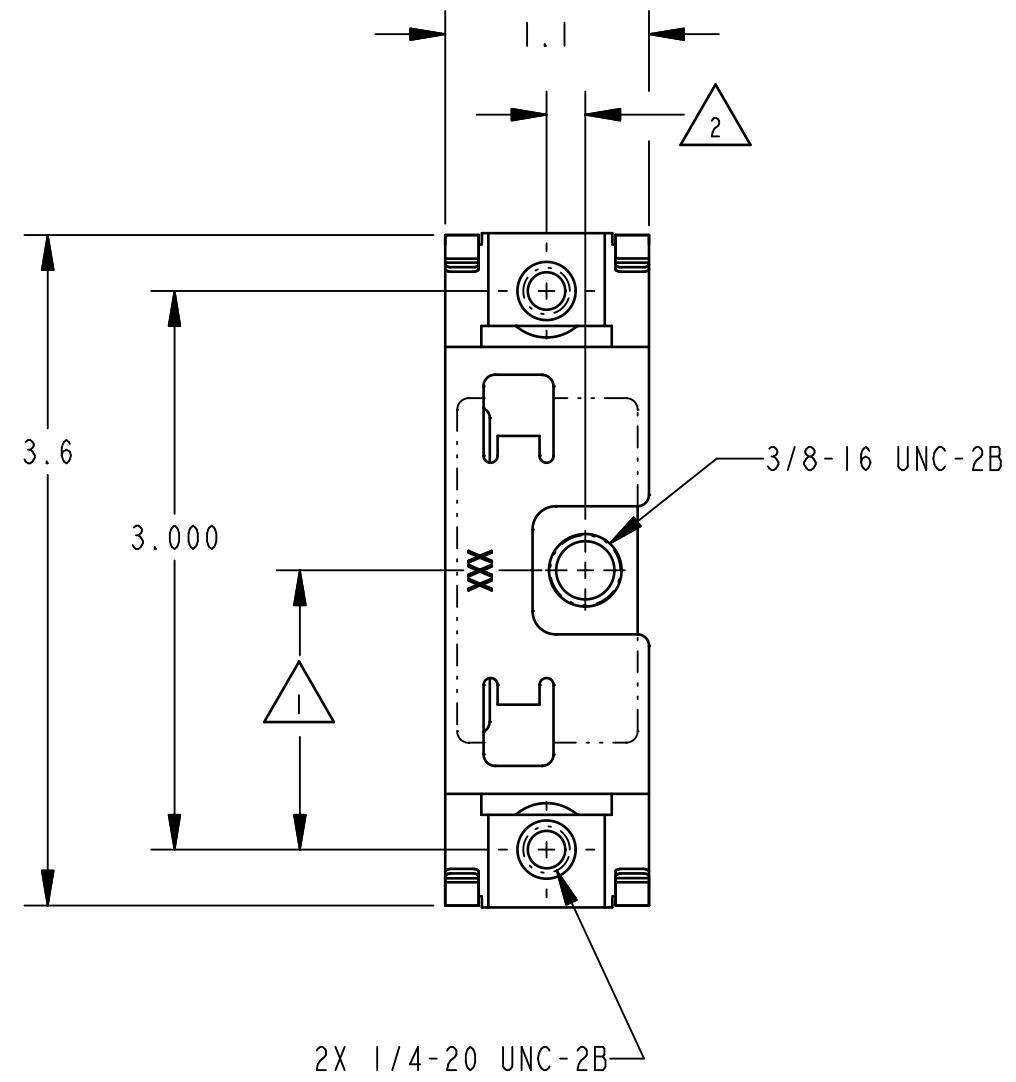
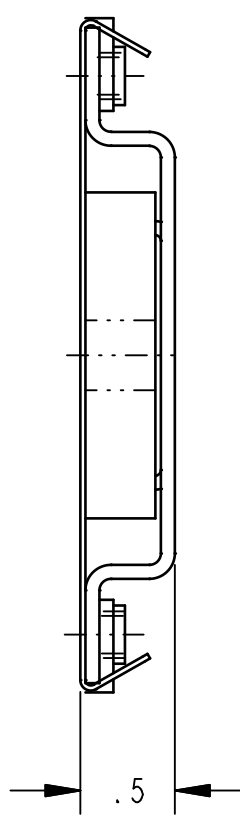



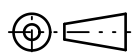
|          |     |    |         |             |
|----------|-----|----|---------|-------------|
| REVISION | ECO | BY | CHECKED | DESCRIPTION |
|----------|-----|----|---------|-------------|



**PRODUCT SUPPORT DRAWING**  
 Individual part dimensions are for reference only. Refer to individual part drawings for complete dimensions and specifications.

**NOTES:**

- 1 MINIMAL ADJUSTMENT RANGE IN TOP/BOTTOM DIRECTION IS .250 WHEN USED WITH TRIMARK 070-0100 STRIKER BOLT.
- 2 MINIMAL ADJUSTMENT RANGE IN LEFT/RIGHT DIRECTION IS .125 WHEN USED WITH TRIMARK 070-0100 STRIKER BOLT.

| SPECIFICATION  |     | DESCRIPTION |                   | ITEM | PART NUMBER                 | DESCRIPTION | QUANTITY  |  |
|--|-----|-------------|-------------------|------|-----------------------------|-------------|---|--|
| <b>DRAWN BY</b>  | MLH | 4/25/02     | <b>MATERIAL</b>   |      |                             |             |   | <br>500 Bailey Avenue<br>New Hampton, Iowa 50659 U.S.A.<br>Tel: 641-394-3188<br>Fax: 641-394-2392 |
| <b>CHECKED BY</b>  | JRS | 4/25/02     | <b>HEAT TREAT</b> |      |                             |             |   |  |
| <b>DESIGN ENG.</b>   | GCL |             | <b>FINISH</b>     |      |                             |             |   |  |
| <b>MFG. ENG.</b>   |     |             | <b>PROJECT</b>    |      |                             |             |   |  |
| <b>QUALITY ENG.</b>  |     |             | <b>CUSTOMER</b>   |      | <b>CUSTOMER PART NUMBER</b> |             | This drawing and the information contained herein is the property of TriMark Corporation and shall not be used for any purpose without our written consent. |  |
| <b>TOLERANCES UNLESS OTHERWISE SPECIFIED</b><br>ASME Y14.5M-1994<br>DIMENSIONS ANGLES<br>X.X = ±.1 X° = ±3°<br>X.XX = ±.03 X.X° = ±1.0°<br>X.XXX = ±.010 X.XX° = ±.50° |     |             | <b>SIZE</b>       |      | <b>PRODUCT CODE</b>         |             |   | <b>PART NAME</b>   |
|  INCH [METRIC]  |     |             | B                 |      | K04 (100-0410)              |             | ASSY, NUT, CAGE, 3/8 THD  |  |
| REPORT ERRORS TO ENGINEERING DEPARTMENT  |     |             |                   |      | DO NOT SCALE DRAWING        |             | SCALE FULL  |  |
|  |     |             |                   |      |                             |             | REVISION A  |  |
|  |     |             |                   |      |                             |             | PART NUMBER PRI1920   |  |