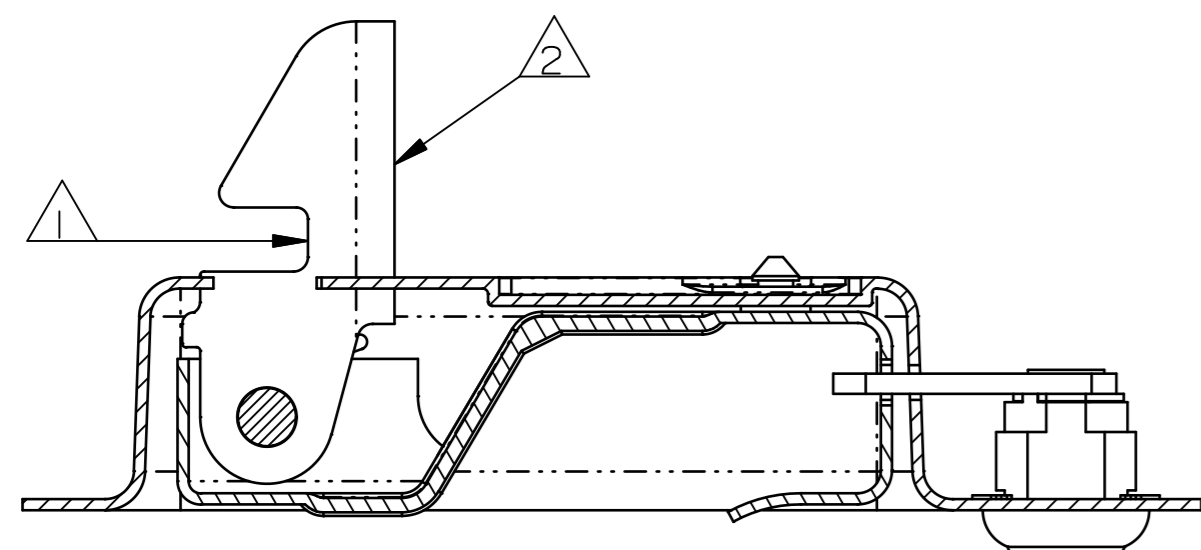
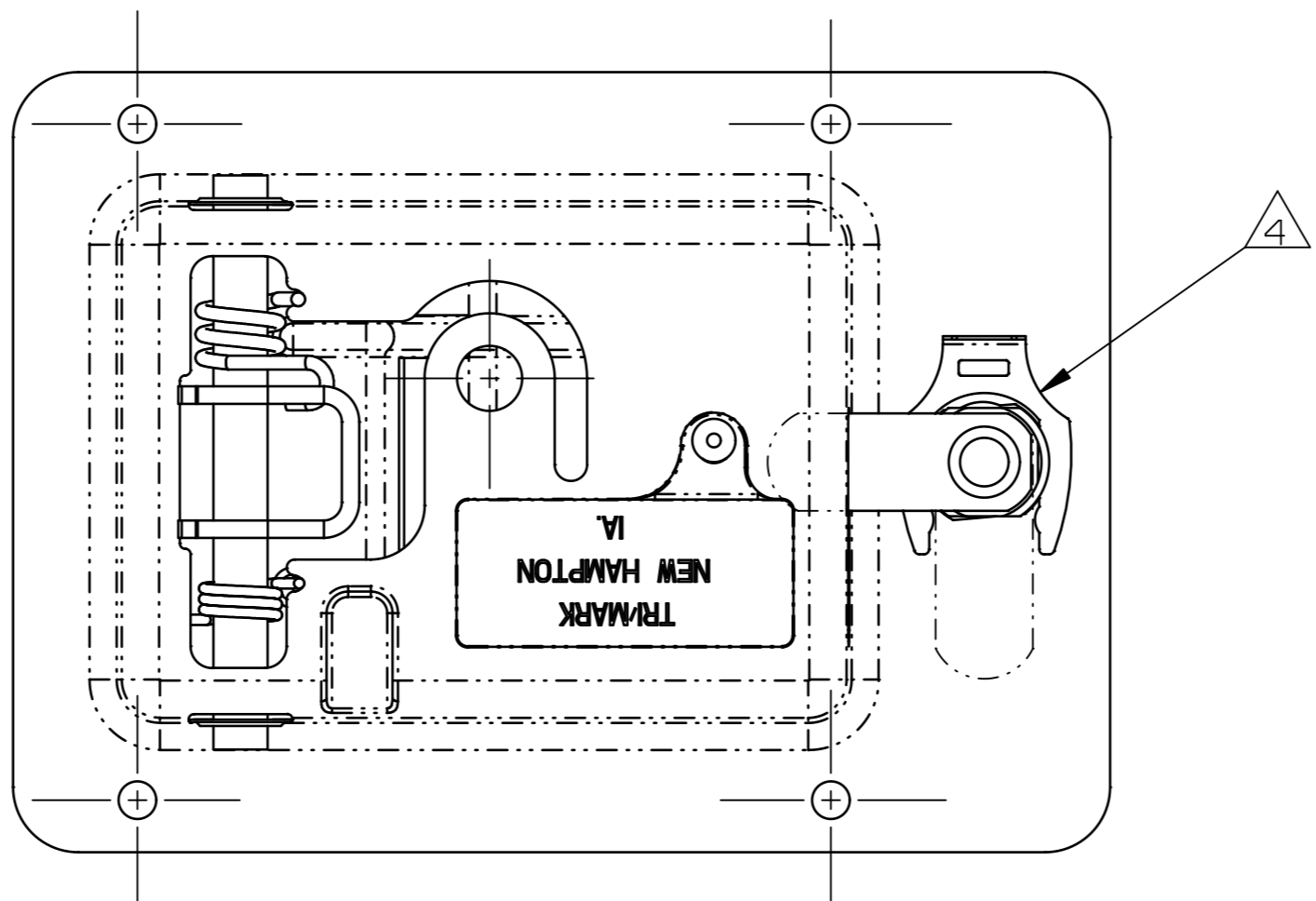
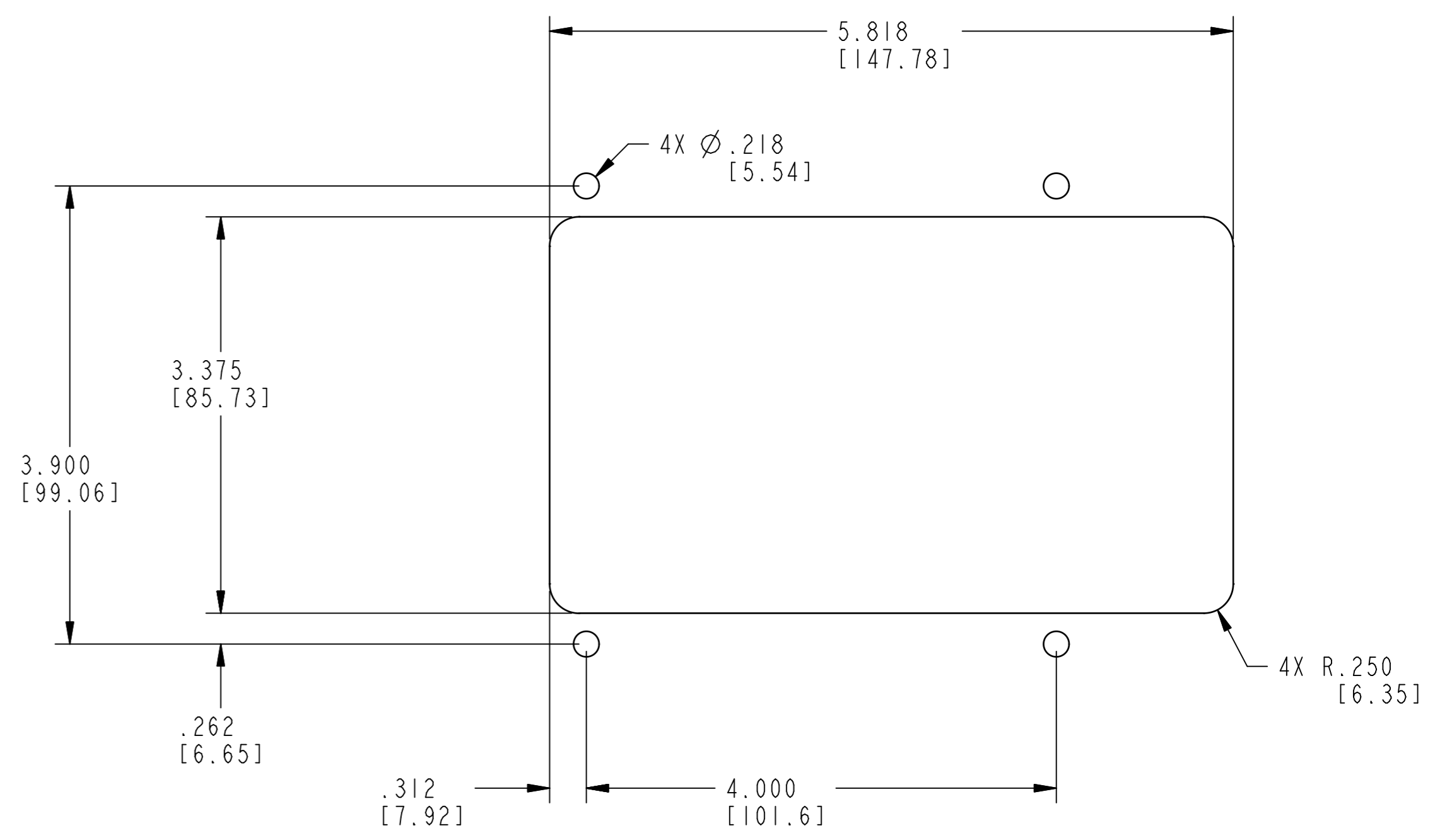
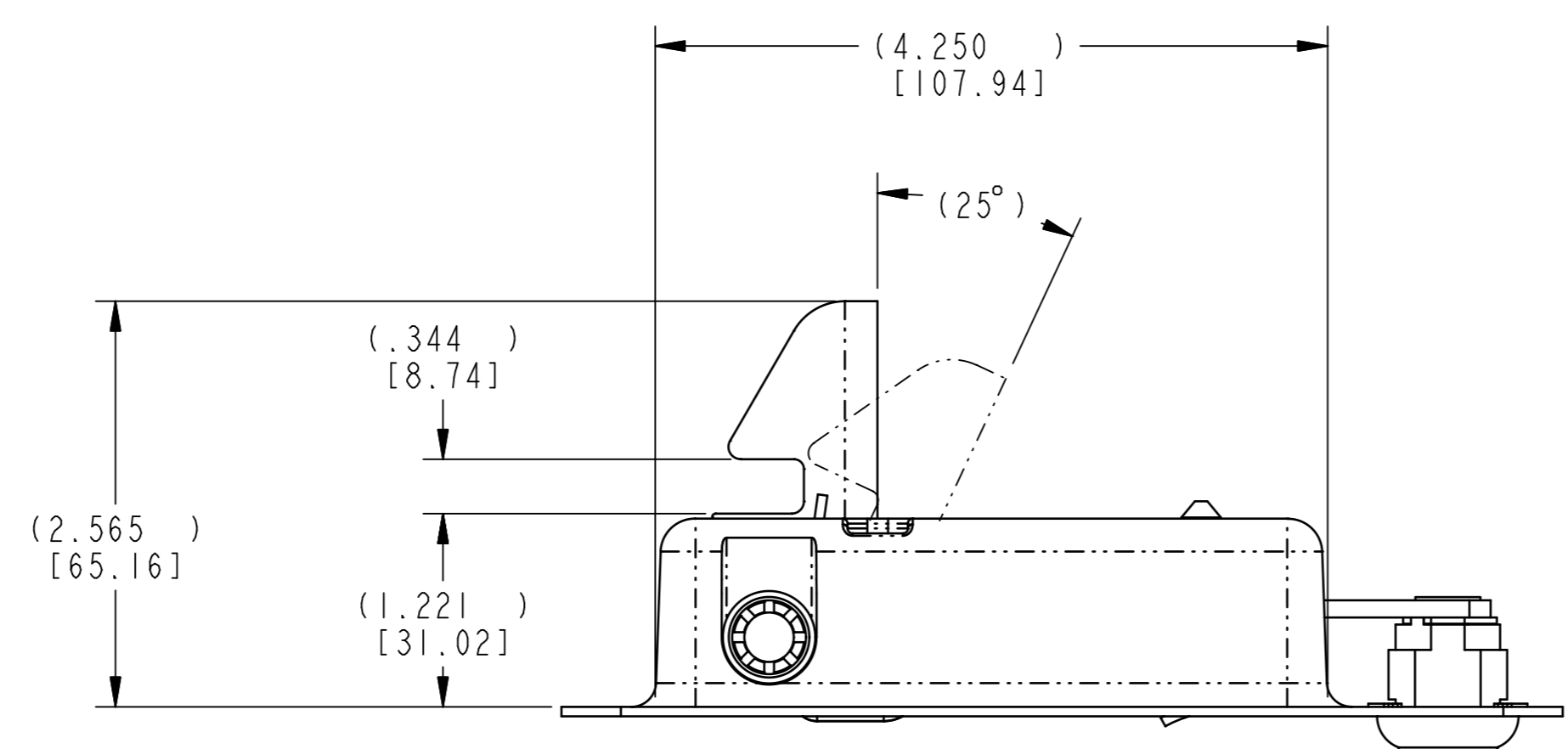


PART NO.	FINISH
11662-12	PAINT, BLACK, MEDIUM GLOSS OVER ELECTROCOAT, CATHODIC, ACRYLIC EPOXY
11662-16	PLATE, ZINC/COAT, CHROMATE, YELLOW

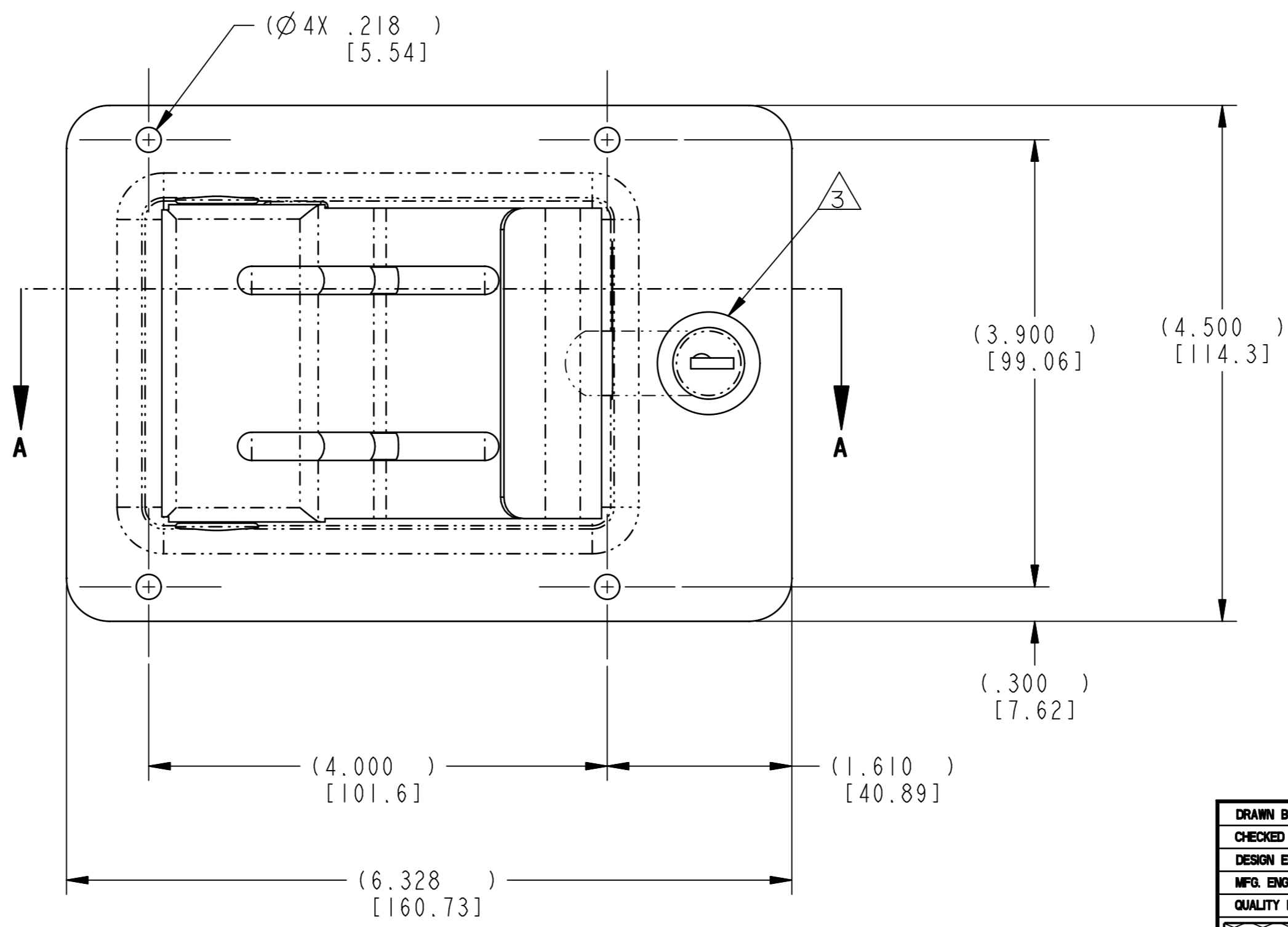
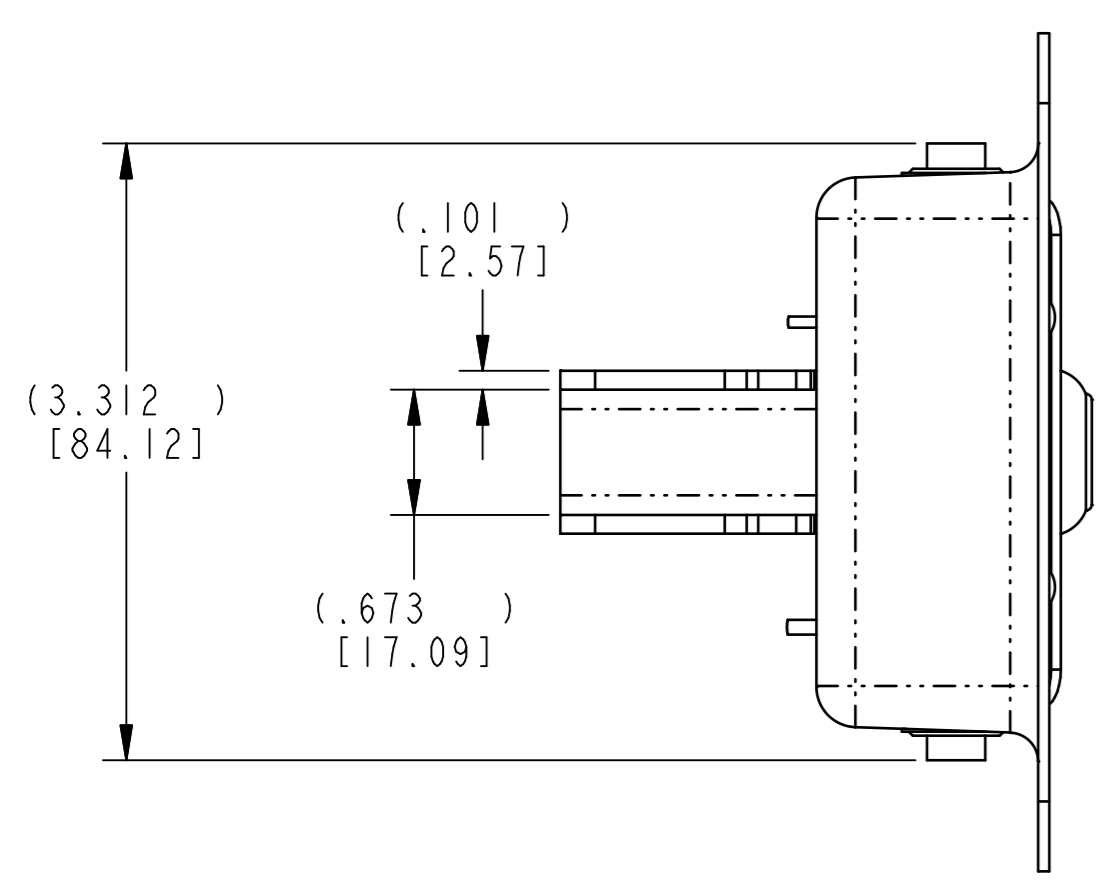
REVISION	ECO	BY	CHECKED	DESCRIPTION
----------	-----	----	---------	-------------



SECTION A-A



RECOMMENDED CUTOUT DETAIL



NOTES:

- 1 APPROXIMATELY 5 LBS OF FORCE REQUIRED TO MOVE HOOK FROM NORMAL ASSEMBLED POSITION APPLIED TO THE NOSE OF THE HOOK AS SHOWN BY ARROW.
- 2 TRIMARK PART NUMBER AND DATE CODE STAMPING.
- 3 SHIPPED IN LOCKED POSITION AS SHOWN.
- 4 CLIP MAY BE INSTALLED IN EITHER POSITION.

030-0500 PIVOTING CATCH COMPARTMENT LATCH, CH751 KEY CODE

SPECIFICATION		DESCRIPTION	ITEM	PART NUMBER	DESCRIPTION	QUANTITY
DRAWN BY	JRS	3/20/02	MATERIAL			
CHECKED BY	CRZ	3/20/02	HEAT TREAT			
DESIGN ENG.			FINISH			
MFG. ENG.			SEE FINISH TABLE			
QUALITY ENG.			PROJECT			
UNLESS OTHERWISE SPECIFIED (SEE TRM CH-109) DIMENSIONS ARE: INCHES DECIMALS MILLIMETERS FRACTIONS		CUSTOMER				
INCH [METRIC]		PART WEIGHT		SURFACE AREA		PRODUCT CODE
D		REPORT ERRORS TO ENGINEERING DEPARTMENT		DO NOT SCALE DRAWING		C12 (030-0500)
FULL		REVISION		PART NUMBER		ASSY, LCH, COMPT, CTH, PVTG, CH751
0		0		PRI1662-XX		SCALE

TriMark
500 Bailey Avenue
New Hampton, Iowa 50659 U.S.A.
Tel: 641-394-3188
Fax: 641-394-2392

This drawing and the information contained herein is the property of TriMark Corporation and shall not be used for any purpose without our written consent.