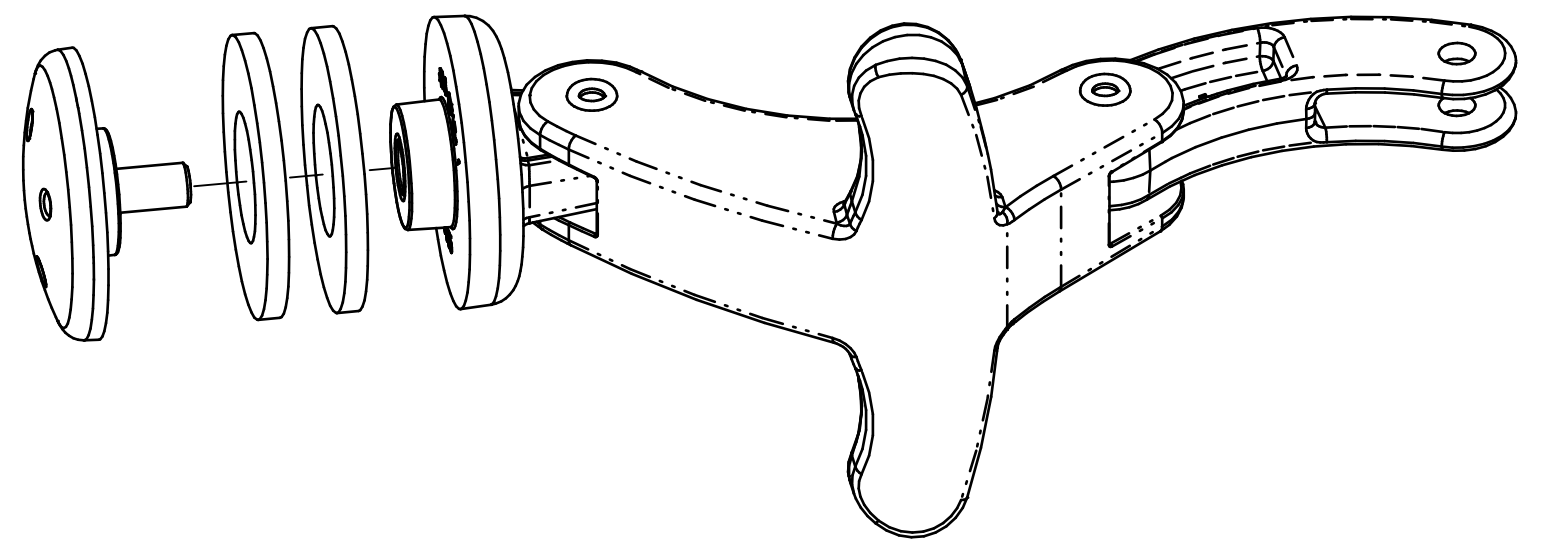
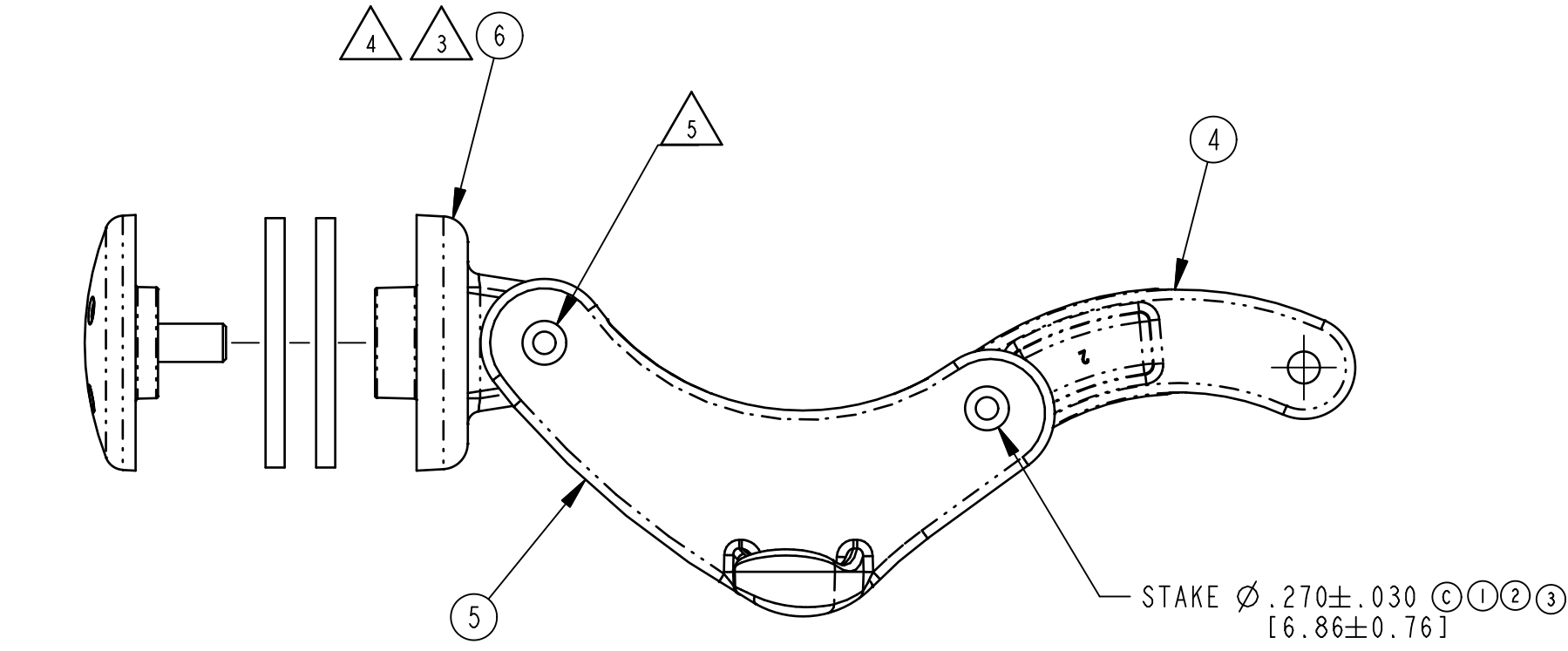


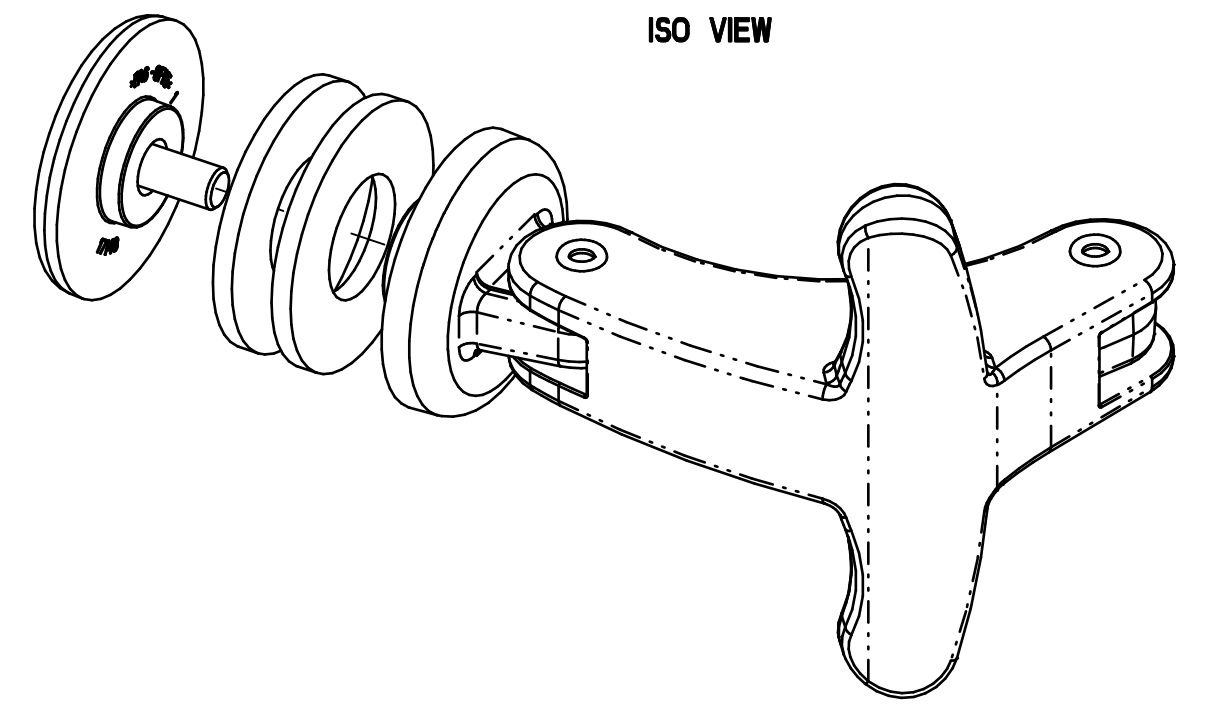
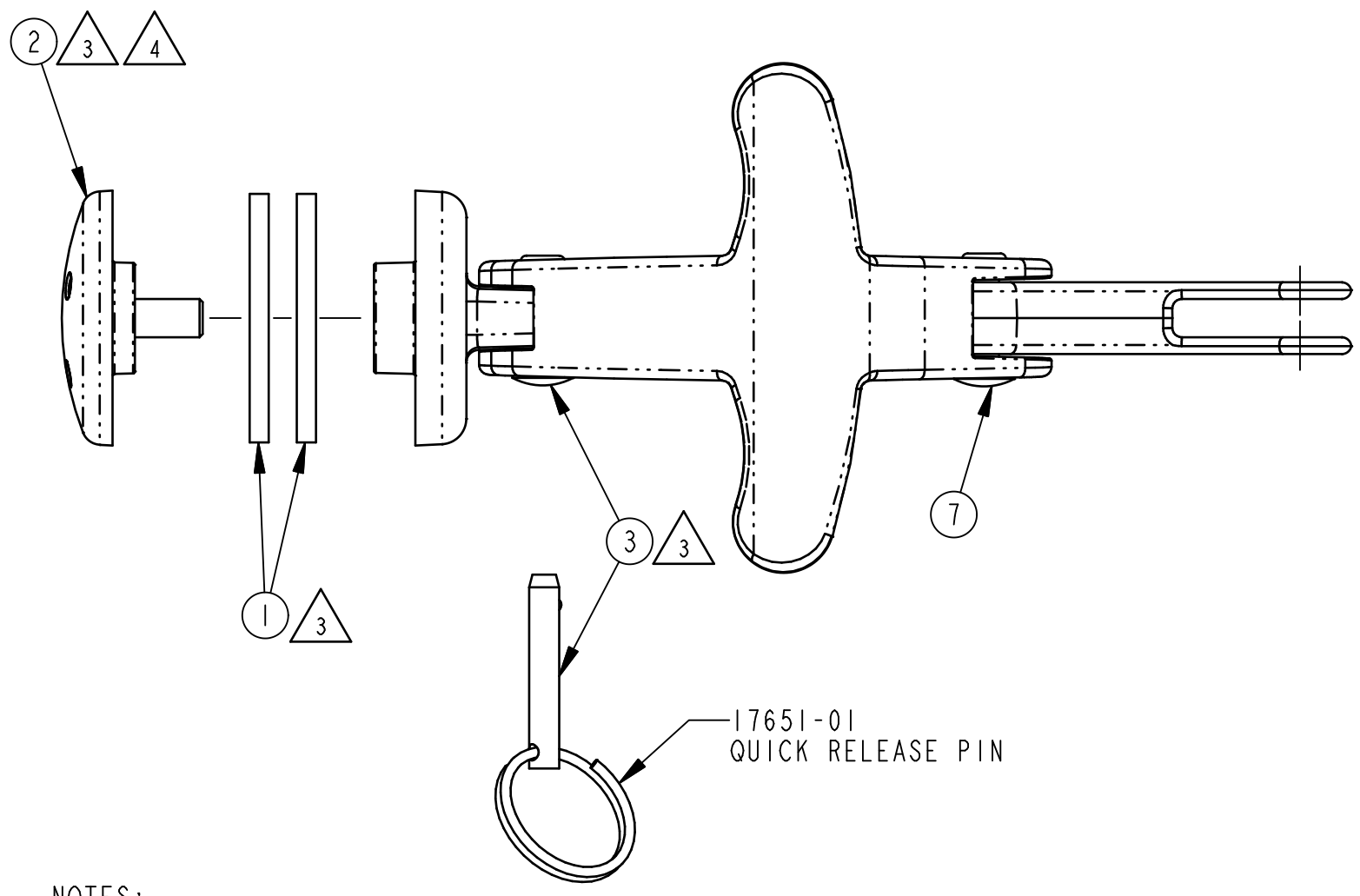
| BASE PART NO. 90520-AA-BB | GASKETS/CAP OPTIONS -AA | | PIN/RIVET OPTIONS -BB | | COMMON COMPONENTS TO ALL ASSEMBLIES | | | |
|------------------------------|--|--------------------------------------|--|--|-------------------------------------|------------------------|-------------------------|-----------------------|
| | -01 = NONE -02 = WITH GASKETS/WITH CAP (FOR 5MM - 6MM GLASS) -03 = WITH GASKETS/WITH CAP (FOR 3MM - 4MM GLASS) | | -01 = QUICK RELEASE PIN -02 = RIVET | | ITEM 4 ARM (QTY) | ITEM 5 HANDLE (QTY) | ITEM 6 BRACKET (QTY) | ITEM 7 RIVET (QTY) |
| | ITEM 1 GASKET (QTY) | ITEM 2 CAP (QTY) | ITEM 3 Q.R. PIN/RIVET (QTY) | | 16937-01 (1) | 16936-01 (1) | 16935-01 (1) | 16942-01 (1) |
| | -01 = NONE -02 = 17147-01 (2) -03 = 17629-01 (2) | NONE 17148-01 (1) 17148-01 (1) | -01 = 17651-01 (1) -02 = 16942-01 (1) | | | | | |

| REVISION | ECO | BY | CHECKED | DESCRIPTION |
|----------|----------|-----------------|-----------------|--|
| B | PRE-RLSE | DJZ 6/9/99 | BLA 6/9/99 | DELETED 16944-01; REVISED VIEWS |
| C | PRE-RLSE | CJH 10/08/99 | DAB 10/08/99 | STAKE Ø.284 WAS TBD; ADDED FEATURE BASE BILL OF MATERIALS; REVISED PART NO.; ADDED NOTE #3 |
| D | PRE-RLSE | CJH 10/11/99 | DAB 10/11/99 | MODIFIED PART NO. & NOTE 3 |
| E | PRE-RLSE | CJH 12/22/99 | CML 12/22/99 | ADDED NOTE 4 |
| F | PRE-RLSE | CJH 01/13/00 | CML 01/13/00 | REVISED FEATURE BASED BOM; REVISED PRODUCT CODE; ADDED NOTE 5; ADDED QUICK RELEASE PIN OPTION; MODIFIED NOTE 3 |
| 0 | RLSE | CJH 04/27/00 | GCL 04/28/00 | RELEASED FOR PRODUCTION |
| 1 | 18200 | BJB 09/21/00 | JRS 09/21/00 | Ø.284 WAS [Ø7.21±.25]; ADDED NOTE 6; REVISED DIMENSIONS IN NOTES 4 & 5 |
| 2 | 18421 | BJB 12/13/00 | JRS 12/13/00 | Ø.330±.030 WAS Ø.284; REVISED NOTE 5 |
| 3 | 19180 | JRS 11/6/01 | MLH 11/6/01 | Ø.270±.030 WAS Ø.330±.030 REVISED NOTE 5 |

(B)(C)(F)



ISO VIEW



ISO VIEW
2 CLOSED POSITION

NOTES:

- 1. COMPONENTS TO MOVE FREELY AFTER ASSEMBLY.
- 2 ASSEMBLY TO BE SHIPPED IN CLOSED POSITION.
- (C)(D) 3 FOR VERSIONS 90520-AA-02 ITEMS 1 AND 2 TO BE SEALED IN CORNER OF BAG.
FOR VERSIONS 90520-AA-01 ITEMS 1,2,3 & 6 ARE TO BE SEALED IN CORNER OF BAG.
- (1)(E) 4 RECOMMENDED APPLICATION TORQUE TO BE 2.4-3.3 LBS/FT [3.3-4.5 N/m].
- (3)(2)(1) 5 FOR VERSIONS 90520-AA-02 STAKE DIA. TO BE $\varnothing .270 \pm .030$ [$\varnothing 6.86 \pm .76$].
FOR VERSIONS 90520-AA-01 SEAL QUICK RELEASE PIN IN CORNER OF BAG.
- (2)(1) 6. DIMENSIONS IN [] ARE IN MM.

| SPECIFICATION | DESCRIPTION | ITEM | PART NUMBER | DESCRIPTION | QUANTITY |
|---------------|-------------|------|-------------|-------------|----------|
|---------------|-------------|------|-------------|-------------|----------|

| | | | | |
|---------------------------------------|-------------|---------|---|----------------------|
| DRAWN BY | DJZ | 3/31/99 | MATERIAL | |
| CHECKED BY | BLA | 3/31/99 | HEAT TREAT | |
| DESIGN ENG. | DAB | 4/27/00 | FINISH | |
| MFG. ENG. | | | PROJECT | 99041 |
| QUALITY ENG. | | | CUSTOMER | |
| TOLERANCES UNLESS OTHERWISE SPECIFIED | | | CUSTOMER PART NUMBER | |
| ASME Y14.5M-1994 | | | SIZE | C |
| DIMENSIONS | ANGLES | | PART WEIGHT | |
| X.X ±.1 | X° ±3° | | SURFACE AREA | |
| X.XX ±.03 | X.X° ±1.0° | | PRODUCT CODE | J20 (090-0520) |
| X.XXX ±.010 | X.XX° ±.50° | | REPORT ERRORS TO ENGINEERING DEPARTMENT | DO NOT SCALE DRAWING |
| INCH [METRIC] | | | SCALE | FULL |

| | | | |
|-------------|-------------------------------|-------------|-----------------------|
| REVISION | 3 | PART NUMBER | (C)(D) 90520-AA-BB |
| DESCRIPTION | WINDOW HOLD OPEN, OVER CENTER | | |

TriMark
 500 Bailey Avenue
 New Hampton, Iowa 50659 U.S.A.
 Tel: 641-394-3188
 Fax: 641-394-2392

This drawing and the information contained herein is the property of TriMark Corporation and shall not be used for any purpose without our written consent.

| SCALE | REVISION | PART NUMBER |
|-------|----------|-----------------------|
| FULL | 3 | (C)(D) 90520-AA-BB |