

030-0900

Motor Home Entrance Door Hardware With Dead Bolt



DESIGNED FOR:

- Motor home entrance doors with thickness of 1-1/2" (38.1mm), 1-5/8" (41mm) or 1-7/8" (47.6mm)
- Fifth-wheel trailers and motor homes
- Applications requiring resistance to water and dirt infiltration
- Door seal pressures of 25 lbs. (11 kg) or less for ease of function and maximum life (not to exceed 50 lbs. [23 kg])
- Right hand applications
- Door weights up to 75 lbs. (34 kg)

FEATURES/BENEFITS:

- Automotive style latch mechanism
- Smooth opening/closing action
- Paddle can be locked before door is shut
- Paddle is rigid when locked
- Comfortable finger access
- New inside handle design facilitates ergonomic function and modern styling
- Adaptable for power door lock actuator
- Built-in dead bolt eliminates the need for an add-on residential type dead bolt
- Dead bolt locks into the fully extended position for true dead bolt functioning



www.trimarkcorp.com

TriMark Corporation

500 Bailey Avenue
P.O. Box 350
New Hampton, Iowa 50659
United States
Tel: 641-394-3188
Fax: 641-394-2392
1-800-447-0343
www.trimarkcorp.com

10002707 QM08 ISO 9001: 2008
10002707 TS09 ISO/TS 16949: 2009
UL
TriMark Corporation

TriMark Europe

Cedar Court
Walker Road
Bardon Hill
Coalville LE67 1TU
United Kingdom
Tel: +55 (0)1530 512460
Fax: +44(0)1530 512461
www.trimarkeu.com

427961 QM08 ISO 9001: 2008
427961 UM ISO 14001: 2004
UL
TriMark Europe Ltd.

Motor Home Entrance Door Hardware With Dead Bolt

AVAILABLE:

- Master keyed passage lock key cylinder. Non-master keyed dead bolt
- Gasket (not included)
- Lock can be keyed to match other TriMark door products with KeyOne™ Plus for a single-key system, keyed alike or provided non-locking
- Standard or extended length deadbolt
- Sandwich mounting is available for door thicknesses of 1.500 (38.1mm), 1.614 (41mm) or 1.875 (47.6mm)



MATERIAL:

- Housing, inside plates, paddles, and certain lock actuating components: die cast zinc alloy
- Internal latch components: heat treated, smooth edge stamped steel
- Springs: non-corrosive stainless steel
- Case halves: high strength steel

FINISH:

- Black powder coated
- Chrome plated
- Interior release: low gloss black or white powder coat

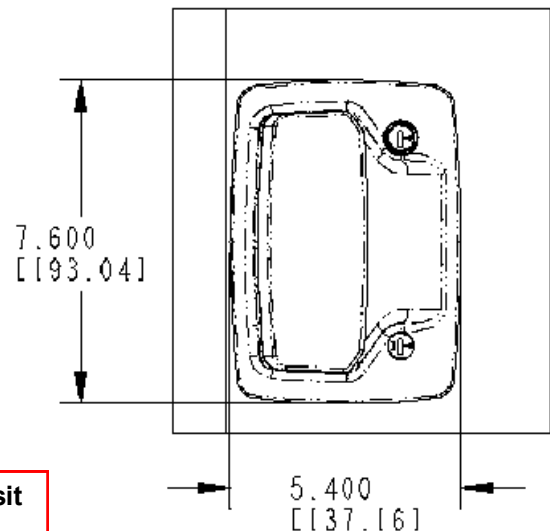
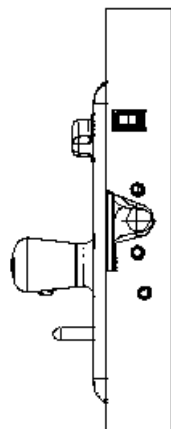
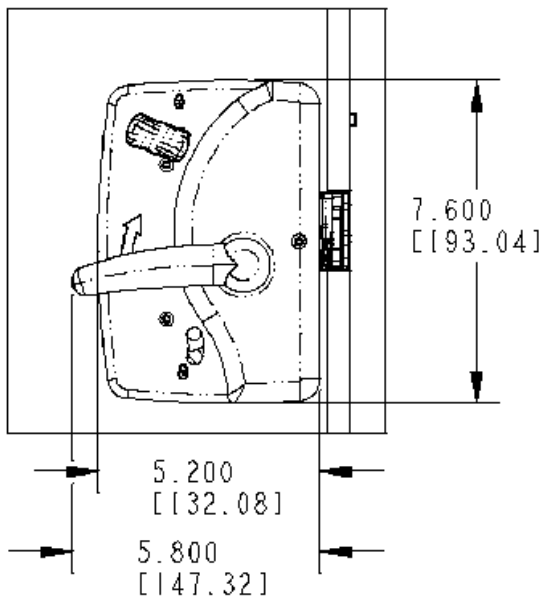
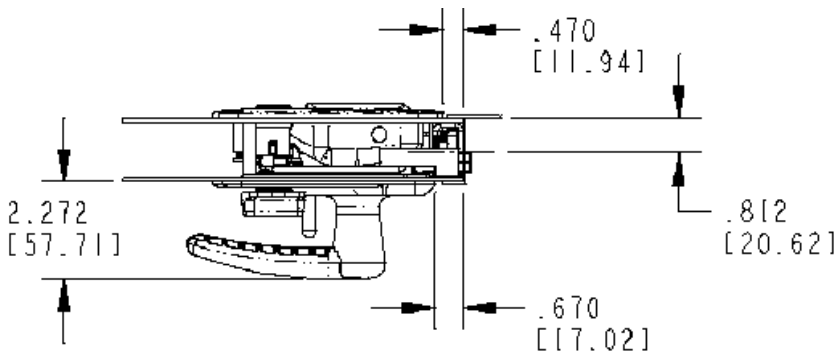
INSTALLATION:

- #8-32 UNC mounting screws (not included). Recommended torque 13 in./lbs.
- Sandwich mount installation does not require any linkage rods

Meets FMVSS 206 load requirements and may be used in FMVSS 206 applications pending TriMark application approval.

Individual part dimensions are for reference only. Refer to individual part drawings for complete dimensions, specifications, and installation procedures. Engineering assistance and application drawings are available.

U.S. Patent No. 4,736,972 & 5,127,686
Canadian Patent No. 2045831
Design Patent No. D529,367



For more information visit
www.trimarkcorp.com